

AIR CONDITIONERS

XC25

DAVE LENNOX SIGNATURE® COLLECTION
Variable Capacity - Precise Comfort® Technology



PRODUCT SPECIFICATIONS

Bulletin No. 210658
 November 2015
 Supersedes September 2015

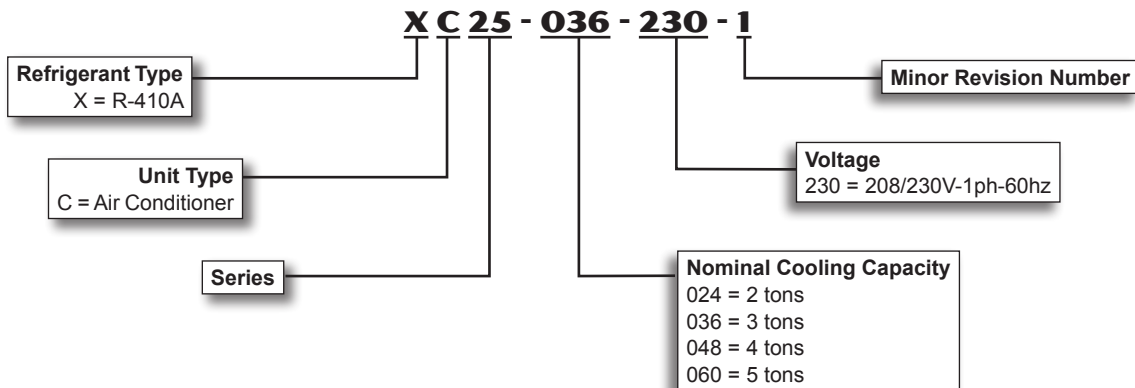


* iComfort® S30
 Thermostat



SEER up to 26.00
2 to 5 Tons
Cooling Capacity - 22,000 to 59,500 Btuh

MODEL NUMBER IDENTIFICATION



* iComfort® S30 or iComfort Wi-Fi® Thermostat required. Not furnished - Order separately.

FEATURES

CONTENTS

AHRI System Matches	15
Dimensions	13
Electrical Data.....	11
Features.....	2
Field Wiring.....	12
Installation Clearances	12
Model Number Identification	1
Optional Accessories	11
Sound Data.....	12
Specifications.....	11
Sunsource® Home Energy System - Components	7

WARRANTY

Compressor - Ten year limited warranty in residential installations and five years in non-residential installations.

All other covered components - Ten years in residential installations and one year in non-residential installations.

Refer to Lennox Equipment Limited Warranty certificate included with unit for specific details.

APPROVALS

AHRI Certified to AHRI Standard 210/240-2008

Sound rated in Lennox reverberant sound test room in accordance with test conditions included in AHRI Standard 270-2008.

Tested in the Lennox Research Laboratory environmental test room.

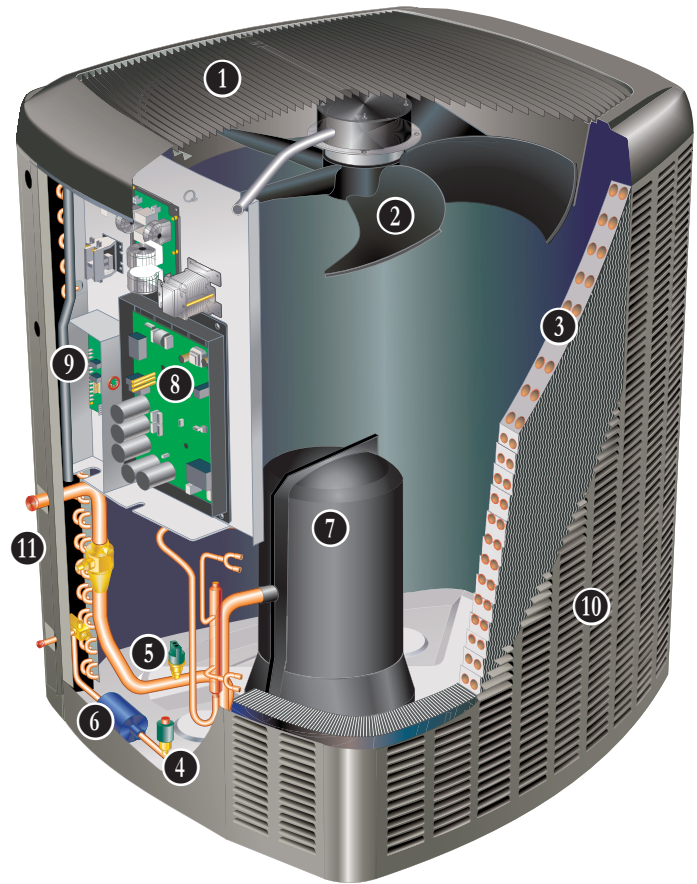
Rated according to U.S. Department of Energy (DOE) test procedures.

Air conditioners and components within bonded for grounding to meet safety standards for servicing required by ETL, NEC, and CEC.

Units are ETL certified for the U.S. and Canada.

ISO 9001 Registered Manufacturing Quality System.

ENERGY STAR® certified units are designed to use less energy, help save money on utility bills, and help protect the environment.



APPLICATIONS

SEER up to 26.00.

2 through 5 ton.

Single phase power supply.

Sound levels as low as 59 dB.

Vertical air discharge allows concealment behind shrubs at grade level or out of sight on a roof.

Matching add-on furnace indoor coils or air handlers provide a wide range of cooling capacities and applications. See AHRI System Matches.

See Indoor Coils and Air Handlers tab sections for data.

Units shipped completely factory assembled, piped, and wired. Each unit is test operated at the factory ensuring proper operation.

Installer must set air conditioner, connect refrigerant lines, and make electrical connections to complete job.

NOTE - The XC25 can only be matched with iComfort®-enabled variable-speed indoor furnaces and air handlers.

FEATURES

REFRIGERATION SYSTEM

R-410A Refrigerant

Non-chlorine, ozone friendly, R-410A.

Unit pre-charged with refrigerant.

See Specification table.



Outdoor Coil Fan with SilentComfort™ Technology

- 1 Specially-designed, SilentComfort™ fan guard uses Passive Vortex Suppression to reduce air noise. Constructed of corrosion-resistant PVC (polyvinyl chloride) coated steel.

- 2 Specially designed fan blades reduce operating sound levels. Direct drive fan moves large air volumes uniformly through entire condenser coil for high refrigerant cooling capacity.

Vertical air discharge minimizes operating sounds and eliminates damage to lawn and shrubs.

Fan service access accomplished by removal of fan guard.



Variable-Speed Outdoor Coil Fan Motor With Integrated Control

Outdoor coil fan motor with integrated control is programmed for variable capacity operation. Fan speed is directly controlled by the iComfort® communications between the outdoor unit iComfort® control and the iComfort Wi-Fi® thermostat.

Fan motor is inherently protected.

Motor totally enclosed for maximum protection from weather, dust and corrosion.

- 3 **Copper Tube/Enhanced Fin Coil**

Lennox designed and fabricated coil.

Ripple-edged aluminum fins.

Copper tube construction.

Lanced fins provide maximum exposure of fin surface to air stream resulting in excellent heat transfer.

Fin collars grip tubing for maximum contact area.

Flared shoulder tubing connections/silver soldering construction.

Coil is factory tested under high pressure to insure leakproof construction.

Entire coil is accessible for cleaning.

- 4 **High Pressure Switch**

Shuts off unit if abnormal operating conditions cause the discharge pressure to rise above setting.

Protects compressor from excessive condensing pressure.

Automatic reset.

- 5 **Low Pressure Switch**

Shuts off unit if suction pressure falls below setting. Provides loss of charge and freeze-up protection. Automatic reset.

- 6 **Hi-Capacity Liquid Line Drier**

Factory installed in the liquid line, the drier traps moisture or dirt that could contaminate the refrigerant system.

100% molecular-sieve bead type drier.

Optional Accessories

Expansion Valve Kits

Must be ordered separately and field installed on certain indoor units. See TXV Usage table on page 14.

Chatleff style fitting.

Freezestat

Installs on or near the discharge line of the indoor coil or on the suction line.

Senses suction line temperature and cycles the compressor off when suction line temperature falls below it's setpoint.

Opens at 29°F and closes at 58°F.

Recommended for extra protection during low ambient operation.

Refrigerant Line Kits

Refrigerant lines (suction & liquid) are shipped refrigeration clean. Lines are cleaned, dried, pressurized, and sealed at factory.

Suction line fully insulated.

L15 lines are stubbed at both ends.

See Specifications table for selection.

Not available for -060 model and must be field fabricated.

NOTE - The XC25 is a variable capacity air conditioner utilizing variable speed compressor technology. With the variable speed compressor and variable pumping capacity, additional consideration must be given to refrigerant piping sizing and application.

Please refer to the Installation Instructions or Service Literature for Line Set Requirements and Refrigerant Piping Guidelines.

FEATURES

PRECISE COMFORT® TECHNOLOGY

The Variable Capacity Compressor and DC Inverter Control is an integrated system that operates together to reduce overall energy usage when compared to conventional air conditioners.

7 Variable Capacity Scroll Compressor

Operates on a variable frequency determined by the DC Inverter Control to vary capacity based on the cooling load required.

Features high efficiency with uniform suction flow, constant discharge flow, high volumetric efficiency and quiet operation.

Consists of two involute spiral scrolls matched together to generate a series of crescent shaped gas pockets between them.

During compression, one scroll remains stationary while the other scroll orbits around it.

Gas is drawn into the outer pocket, the pocket is sealed as the scroll rotates.

As the spiral movement continues, gas pockets are pushed to the center of the scrolls. Volume between the pockets is simultaneously reduced. When the pocket reaches the center, gas is now at high pressure and is forced out of a port located in the center of the fixed scrolls.

During compression, several pockets are compressed simultaneously resulting in a smooth continuous compression cycle. Continuous flank contact, maintained by centrifugal force, minimizes gas leakage and maximizes efficiency.

Compressor is tolerant to the effects of slugging and contaminants. If this occurs, scrolls separate, allowing liquid or contaminants to be worked toward the center and discharged.

Top Cap Thermal Sensor Switch

Located on top of the compressor casing.

Discontinues compressor operation in case of abnormal operating conditions.

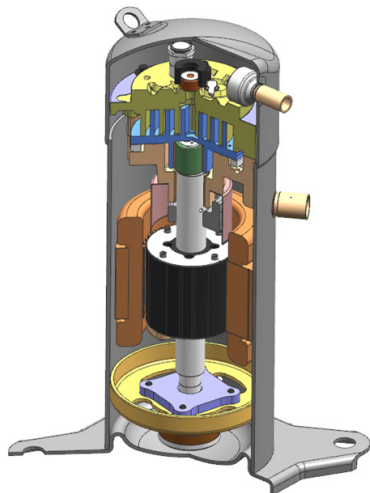
Compressor Sound Dampening System

A polyethylene compressor cover containing a 2 inch thick batt of fiberglass insulation for better sound dampening.

All open edges are sealed with a one-inch wide hook and loop fastening tape.

Crankcase Heater

Crankcase heater prevents migration of liquid refrigerant into compressor and ensures proper compressor lubrication.



8 DC Inverter Control

Converts AC line voltage into filtered variable DC voltage.

Provides continuous compressor operation, while adjusting the capacity according to indoor temperature.

Adjusts compressor output in increments as small as 1%.

The accurate sensing of cooling load prevents frequent changes in capacity and ensures efficient, economical operation.

Power Factor Correction (PFC) circuit monitors the DC bus for high, low and abnormal voltage conditions to protect the compressor.

Two LEDs (red and green) indicate inverter operating status and aid in troubleshooting.

Noise filter reduces unwanted electromagnetic interference (EMI). Integrated on the control for 024 and 036 models, external to the control for 048 and 060 models.

The inverter reactor (mounted separately) adds inductance to the line between the inverter and the compressor to limit current rise and protect the compressor.



FEATURES

CONTROLS

9 iComfort® Control

Advanced control communicates information about various operating parameters in the air conditioner to the *iComfort® S30 Thermostat* or *iComfort Wi-Fi® Thermostat* to constantly maintain the highest level of comfort, performance and efficiency available.

Auto Configuration - On start-up the control automatically sends a description of the unit to the *iComfort® S30 Thermostat* or *iComfort Wi-Fi® Thermostat* to automatically configure the features available.

Control also features:

- Seven-Segment Display shows information about outdoor unit type and capacity and also displays alerts for common fault conditions (electrical and mechanical).
- Low voltage protection prevents compressor operation when voltage is not within the specified range.
- High and low pressure switch monitoring with provisions for lockout.
- Five-Strike lockout protection protects compressor.
- Liquid line temperature and sensor monitoring.
- EEPROM storage of all local configurations.
- Non-volatile memory storage of 100 alarm codes with display of last 10 codes for troubleshooting.
- Built-in low ambient control.

Low Ambient Operation

The air conditioner can operate down to 0°F outdoor air temperature.

NOTE - A freeze stat is recommended for extra protection during low ambient operation.

Climate IQ™ Technology

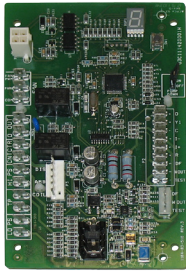
Optimizes dehumidification settings for specific climates to improve home comfort during cooling operation.

iComfort Wi-Fi® Thermostat Settings:

- Dry - The system supplies higher indoor airflow at all compressor capacities, increasing efficiency by operating at a higher sensible to total ratio.
- Moderate - The system supplies indoor airflow that balances efficiency and comfort.
- Humid - The system supplies lower indoor airflow at all compressor capacities, improving humidity removal by operating at a lower sensible to total ratio.

iComfort® S30 Thermostat Setting:

- Climate IQ (Auto) - Dry, Normal, Basic and Humid modes are automatically set based on the difference between the measured relative humidity and the relative humidity setting.



All modes are selected on the *iComfort® S30 Thermostat* or *iComfort Wi-Fi® Thermostat*.

Outdoor Air Temperature Sensor

Used with *iComfort®*-enabled Thermostats.

Sensor allows thermostat to display outdoor temperature. Sensor is auto-detected when connected to thermostat.

Sensor is auto-detected when connected to thermostat.

REQUIRED COMPONENTS

NOTE - The XC25 Air Conditioner can only be used with an *iComfort® S30* or *iComfort Wi-Fi® Thermostat*.

iComfort® S30 Thermostat (part of the *iComfort® Residential Communicating Control System*)

The *iComfort® S30 Thermostat* recognizes and connects to all *iComfort®*-enabled products to automatically configure and control the heating/cooling system (based on user-specified settings) for the highest level of comfort, performance and efficiency. Also recognizes model and serial number information for *iComfort®*-enabled products to simplify system setup.



Wi-Fi remote temperature monitoring and adjustment through a home wireless network for desktop PCs, laptops and apps for smartphones or tablets. Also displays service alerts and reminders.

Dealer Dashboard features online real-time monitoring of installed *iComfort®* systems.

A simple easy-to-use touchscreen allows complete system configuration. Scheduled maintenance alerts, system warnings and troubleshooting are also displayed on thermostat screen.

Easy to read 7 in. high definition color display (measured diagonally).

Installer setup screens allow quick and simple system configuration without a manual, Installer can also run tests on complete system or individual components for easy maintenance and troubleshooting.

Serial communications bus (RSBus), with less wiring than a conventional heating/cooling system, allows system communication. Uses 4-wire, 18-gauge standard thermostat wiring.

Remote outdoor temperature sensor (furnished with outdoor unit) allows the thermostat to display outdoor temperature. Required in *Humiditrol®* applications.

High Definition Color Display, Mag-Mount, Smart Hub Controller, wallplate (for retrofit installations) furnished for easy installation.

See the *iComfort® S30 Thermostat* Product Specifications bulletin in the Controls section for more information.

FEATURES

REQUIRED COMPONENTS (continued)

iComfort Wi-Fi® Thermostat (part of the iComfort® Residential Communicating Control System)

The *iComfort Wi-Fi® Thermostat* recognizes and connects to all iComfort®-enabled products to automatically configure and control the heating/cooling system (based on user-specified settings) for the highest level of comfort, performance and efficiency. Also



recognizes model and serial number information for iComfort®-enabled products to simplify system setup.

Wi-Fi remote temperature monitoring and adjustment through a home wireless network for desktop PCs, laptops and apps for smartphones or tablets. Also displays service alerts and reminders.

Dealer Dashboard features online real-time monitoring of installed iComfort® systems.

A simple easy-to-use touchscreen allows complete system configuration. Scheduled maintenance alerts, system warnings and troubleshooting are also displayed on thermostat screen.

Easy to read 7-inch color screen (measured diagonally).

Installer setup screens allow quick and simple system configuration without a manual, Installer can also run tests on complete system or individual components for easy maintenance and troubleshooting.

Serial communications bus (RSBus), with less wiring than a conventional heating/cooling system, allows system communication. Uses 4-wire, 18-gauge standard thermostat wiring.

Remote outdoor temperature sensor (furnished with outdoor unit) allows the thermostat to display outdoor temperature. Required in *Humiditrol®* applications.

See the *iComfort Wi-Fi® Thermostat* Product Specifications bulletin in the Controls section for more information.

CABINET

Heavy-gauge steel construction

Pre-painted cabinet finish.

Compressor and control box located in a separate compartment, insulated with thick fiberglass insulation.

Compartment provides protection from the weather and keeps sound transmission at a minimum.

Control box is conveniently located with all controls factory wired.

Large removable panel provides service access.

Drainage holes are provided in base section for moisture removal.

High density polyethylene unit support feet raise the unit off of the mounting surface, away from damaging moisture.

PermaGuard™ Unit Base

Durable zinc-coated base section resists rust and corrosion.

10 SmartHinge™ Louvered Coil Protection

Steel louvered panels provides complete coil protection.

Panels are hinged to allow easy cleaning and servicing of coils.

Panels may be completely removed.

Interlocking tabs and slots assure tight fit on cabinet.



Refrigerant Line Connections, Electrical Inlets and Service Valves

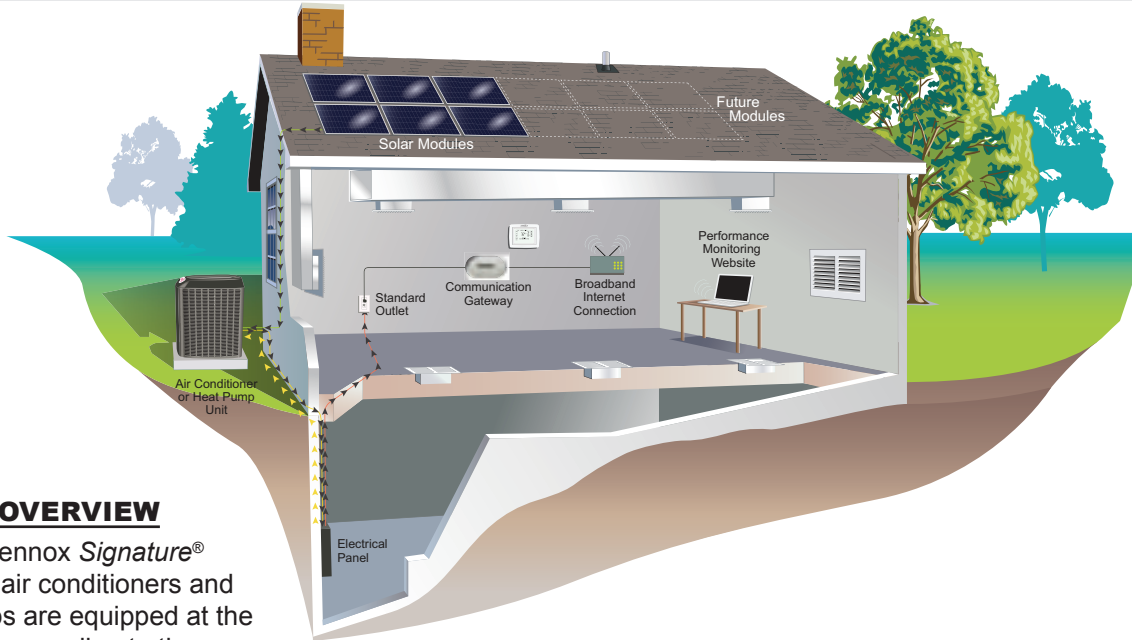
11 Suction and liquid lines are located on corner of unit cabinet and are made with sweat connections. See dimension drawing.

Fully serviceable brass service valves prevent corrosion and provide access to refrigerant system. Suction valve can be fully shut off, while liquid valve may be front seated to manage refrigerant charge while servicing system.

Suction and liquid line service valves and gauge ports are located inside the cabinet.

Refrigerant line connections and field wiring inlets are located in one central area of the cabinet. See dimension drawing.

SUNSOURCE® HOME ENERGY SYSTEM - COMPONENTS



SYSTEM OVERVIEW

All Dave Lennox *Signature*® Collection air conditioners and heat pumps are equipped at the factory for upgrading to the SunSource® Home Energy System.

Units can be upgraded at the time of installation or in the future.

Solar energy is first used to meet cooling/heating demands. When the cooling/heating system is not operating, the system powers lighting, appliances and other electronic devices in the home. And in some locations, any surplus power is sent back to the utility company for a possible credit (check with your local utility company for availability).

The SunSource system consists of the following components:

- Lennox Solar Sub-Panel field installed in a Dave Lennox *Signature*® Collection air conditioner or heat pump unit.
- SolarWorld Pre-Engineered Kits consisting of:
 - SolarWorld Solar Modules (1 to 16 may be used to vary the amount of electricity generated).
 - Enphase Microinverter that converts Direct Current to Alternating Current.
 - Enphase Envoy Communications Gateway for solar power performance monitoring.
 - Roof Mounting Components

Wiring from the roof mounted solar modules is routed to the outdoor unit. From there power travels to the home electrical service panel using the existing outdoor unit power wiring.

NOTE - Refer to separate Product Specifications Bulletin for the SunSource® Home Energy System for more detailed information. See section Solar - Kits/ Accessories.

Also refer to **SunSource® Home Energy System Applications and Design Guidelines** Manual (Corp. 1312-L2) for complete information on designing, sizing and installing a complete system.

APPROVALS

The SunSource® Home Energy System meets the requirements for federal tax credit eligibility listed under the U.S. Emergency Economic Stabilization Act of 2008, covering 30% of the cost of the solar modules, including installation.

LENNOX® SOLAR SUB-PANEL

The Lennox® Solar Sub-Panel replaces the factory piping panel on the outdoor unit and provides circuit breaker protection and power entry for both HVAC (line) and solar power wiring.

Sub-Panel is equipped with separate circuit breakers for both HVAC (line) voltage and solar power.

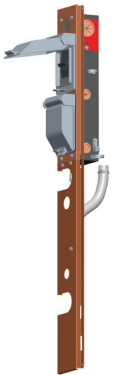
Equipped with pigtail connections for easy field wiring.

Sub-Panel is an ETL listed accessory.

Split design (upper/lower panel) allows installation on different size outdoor units. Sub-Panel is furnished with three separate lower panels. See Outdoor Unit Usage table for correct lower panel size.

*NOTE - Sub-Panel is not backwards compatible with older non Solar-Ready Dave Lennox *Signature*® Collection outdoor units.*

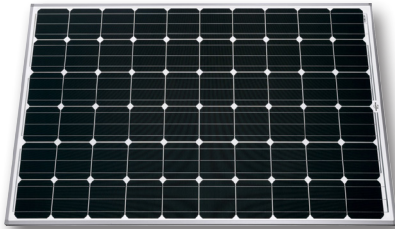
Disconnects for HVAC (line) and solar power wiring are not furnished and must be field provided.



SUNSOURCE® HOME ENERGY SYSTEM - COMPONENTS

SOLAR MODULE

Captures solar energy to convert into AC power through the Enphase Microinverter.



Laminated solar module structure consists of the solar glass, two ethylene vinyl acetate (EVA) sheets, the solar cell matrix and a back sheet.

Thick low-iron safety glass withstands extreme weather conditions and heavy snow loads.

Solar modules are ETL/Intertek listed for the US and Canada to UL Standard 1703 and meet National and Canadian Electrical Code requirements.

Solar Module Frame

Available in black or clear anodized silver frame with cast aluminum corner keys.

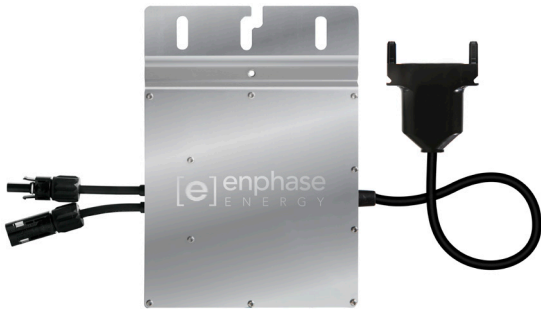
Low profile with extended flange.

Compatible with “top-down” and “bottom-up” mounting methods.

Eight grounding locations (Four corners of the frame and four locations along the length of the module in the extended flange).

Extended cable lengths for easier installation.

ENPHASE MICROINVERTER



Converts Direct Current (DC), captured by a solar module, to Alternating Current (AC) power. Each solar module is paired with one Enphase Microinverter.

Installed beneath each solar module on the roof.

Enphase Microinverters operate independently from each other allowing solar modules that are not shaded or dirty to operate with optimum performance.

Supports low-light and low-voltage operation.

SYSTEM MONITORING

Enphase Envoy Communications Gateway (Communications Booster Furnished)

The Enphase Envoy Communications Gateway monitors microinverter (on solar modules) performance and can be connected to a broadband internet connection to send

data to the Enphase Enlighten™ web site for online monitoring by the homeowner. The Enphase Envoy Communications Gateway is not required, but must be used if system performance monitoring is desired.

Limited system monitoring is also available locally with the Enphase Envoy Communications Gateway and a personal computer if no internet connection is available.

Various Event Messages are also available when monitoring the system via a personal computer locally.

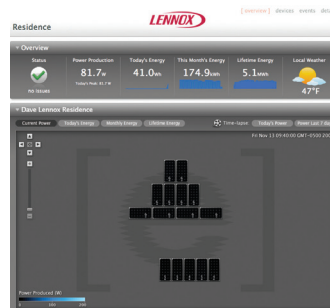
Contents - (1) Enphase Envoy Communications Gateway, (1) Communications Booster, (1) 6 ft. power cord, (1) 10 ft. Ethernet cable, communications booster. CSA (US/C) listed.

The Enphase Envoy Communications Gateway includes a Communications Booster which may or may not be needed depending upon how far the Envoy is away from the solar modules.

Communications Booster

Ethernet bridge signal booster for the Enphase Envoy Communications Gateway. Booster is only needed if the communications gateway is installed and signal is not strong enough in the installed location. Allows the unit to be plugged into an outlet closer to the distribution panel, yet still plug into the broadband router.

Enphase Enlighten™ Performance Monitoring Website



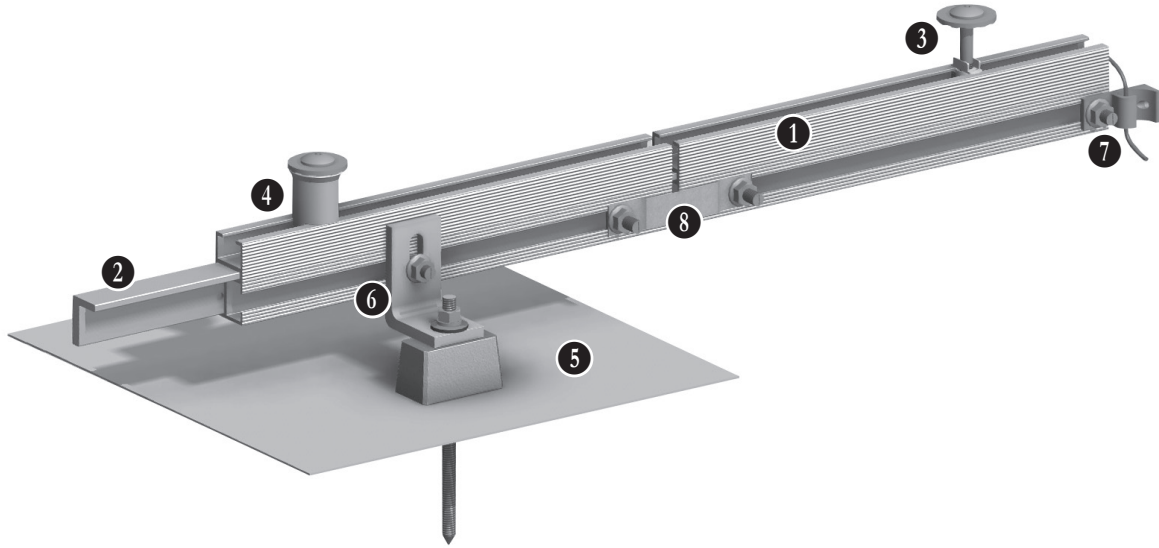
Powered by the Enphase Envoy Communications Gateway, the Enphase Enlighten™ Performance Monitoring website allows the homeowner to keep track of home energy usage and see environmental benefits in real time. Also aids in troubleshooting any solar-related issues.

See demos, view reference installations and other additional information at:

<http://enlighten.enphaseenergy.com/>

SUNSOURCE® HOME ENERGY SYSTEM - COMPONENTS

ROOF MOUNTING COMPONENTS



- 1 Rails** - Provides a mounting surface for Solar Modules in portrait orientation using associated hardware. Serrations on sides of rails provide a secure and stable mating surface for hardware (L-Brackets, Rail Splice Ground Jumper, Ground Lug). Available in 122 in. (3099 mm) and 162 in. (4115 mm) lengths.
- 2 Rail Splice Bar Connector** - For connecting two lengths of rail together. No fasteners required. Pin on center of splice leaves a gap between rails to allow for thermal expansion.
- 3 Top Clamp Assembly (Silver or Black)** - M8 T40 bolt with channel nut, bolt positioning retainer and serrated module clamping washer. Inserts into rail slot to secure modules and set spacing in-between each one.
- 4 End Clamp Aluminum Spacer (Silver or Black)** - Used with Top Clamp Assembly for securing the end of module mounting row.
- 5 Composition Roof Mount/Flashing (Mil Aluminum or Bronze)** - Provides roof mounting surface for mounting system. Size - 12 x 12 in. (305 x 305 mm). Base block, hanger bolt and hardware furnished. Adds 1-1/4 in. (32 mm) height below the L-Bracket.
- 6 L-Bracket** - Clear anodized aluminum with serrated mating surface. Fastens rail to Roof Mount/Flashing. Has two 1 in. (25 mm) slots that provide adjustment from 2-1/2 to 3-1/2 in. (64 to 89 mm).
- Wire Clip (not shown)** - Provides wire management for solar array wiring. Fastens to edge of rail. For 10 AWG.
- Ground Lug (not shown)** - Tin plated, WEEB 8.0, lay-in type. Mounts to corner of solar module.
- 7 Rail-Equipment Ground WEEB 8.0 Lug** - T-bolt slides into rail for secure connection.
- 8 Rail Splice Ground Jumper** - WEEB 8.0, pre-assembled with T-bolts. Electrically bonds rails together. Required at each rail splice.

Rooftop Junction Box (not shown) - Soladeck JBox with flashing. Used to transition from the AC-Interconnection cable to wiring/conduit to the outdoor unit. ETL-listed weather-tight enclosure.

Passthru Kit (not shown) - Used with Rooftop Junction Box. One-branch AC passthru kits. Contains all necessary wiring hardware.

ENPHASE ENGAGE CABLE COMPONENTS

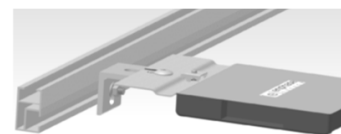
Enphase Engage Cable - The Engage Cable (shown with connector) is a 12 AWG cable with pre-installed connectors (portrait aligned) that plug into the Microinverter. Four wire cable (240V single-phase).

Enphase Engage Cable Terminator - Each Engage Cable is terminated at a junction or combiner box. The opposite end of the cable must be terminated with an Engage Cable Terminator cap.

Enphase Engage Disconnect Tool - Specialized tool that disconnects the Engage Cable from a Microinverter or watertight sealing cap.

Enphase Engage Water-tight Sealing Cap - Use when open connections on the Engage Cable are not mated to a Microinverter.

ENPHASE MICROINVERTER MOUNTING



L-Bracket and associated hardware to mount microinverter to rail.

SUNSOURCE® - PRE-ENGINEERED KITS

ORDERING

SunSource® Pre-Engineered Kits are available for composition shingle roofs, standing seam roofs, trapezoid metal roofs, flat tile roofs and S tile roofs. See the Sunsource Home Energy System Product Specifications bulletin for complete Pre-Engineered Kits ordering instructions and the Ordering Process Flowchart/Worksheet.

The Installation Package contains the appropriate number of required Rails, Splices, Brackets, Clamps, Clips and assorted hardware (nuts/bolts/washers) for the installation.

NOTE

The Lennox® Solar Sub-Panel for the outdoor unit must be ordered separately. See below for ordering information.

Lennox® Solar Sub-Panel



Order one per outdoor unit. Replaces the outdoor unit piping panel and provides the connection between the solar modules and outdoor unit.

62E02

LENNOX® SOLAR SUB-PANEL - OUTDOOR UNIT USAGE

Outdoor Unit Model No.	Lower Sub-Panel Height - in. (mm)
	27 (686)
XC25 (all sizes)	X

SPECIFICATIONS

General Data		Model No.	XC25-024	XC25-036	XC25-048	XC25-060
		Nominal Tonnage	2	3	4	5
Connections (sweat)	Liquid line (o.d.) - in.		3/8	3/8	3/8	3/8
	Suction line (o.d.) - in.		7/8	7/8	7/8	1-1/8
Refrigerant		¹ R-410A charge furnished	13 lbs. 10 oz.	10 lbs. 12 oz.	14 lbs. 8 oz.	12 lbs. 9 oz.
Outdoor Coil	Net face area - sq. ft.	Outer coil	27.21	27.21	27.21	27.21
		Inner coil	26.36	26.36	26.36	26.36
		Tube diameter - in.	5/16	5/16	5/16	5/16
		No. of rows	2	2	2	2
		Fins per inch	22	22	22	22
Outdoor Fan	Diameter - in.		26	26	26	26
	No. of blades		5	5	5	5
	Motor hp		1/3	1/3	1/3	1/3
	Cfm - Max. Speed		2925	4100	4220	4385
	Min. Speed		1950	1950	3020	3020
	Rpm - Max. Speed		490	650	675	700
	Min. Speed		350	350	500	500
	Watts - Max. Speed		75	157	185	212
Min. Speed		32	32	82	82	
Shipping Data - lbs. - 1 pkg.			303	303	330	330

ELECTRICAL DATA

Line voltage data - 60hz			208/230V-1ph	208/230V-1ph	208/230V-1ph	208/230V-1ph
² Maximum overcurrent protection (amps)			25	30	50	50
³ Minimum circuit ampacity			14.9	19.5	32.9	34.1
Compressor	Rated load amps		10.3	14.0	24.7	25.7
	Locked rotor amps		18	18	29	29
	Power factor		0.97	0.98	0.99	0.99
Outdoor Fan Motor - Full load amps			2.0	2.0	2.0	2.0

REQUIRED COMPONENTS - ORDER SEPARATELY

iComfort® S30 Thermostat	12U67	•	•	•	•
iComfort Wi-Fi® Thermostat	10F81	•	•	•	•
⁴ Discharge Air Temperature Sensor	88K38	•	•	•	•

OPTIONAL ACCESSORIES - ORDER SEPARATELY

⁵ Freezestat	3/8 in. tubing	93G35	•	•	•	•
	5/8 in. tubing	50A93	•	•	•	•
⁶ Refrigerant Line Sets	L15-65-30		•	•	•	
	L15-65-40					
	L15-65-50					
Field Fabricate						•

NOTE - Extremes of operating range are plus 10% and minus 5% of line voltage.

¹ Refrigerant charge sufficient for 15 ft. length of refrigerant lines. For longer line set requirements see the Installation Instructions for information about line set length and additional refrigerant charge required.

² HACR type breaker or fuse.

³ Refer to National or Canadian Electrical Code manual to determine wire, fuse and disconnect size requirements.

⁴ Used with the iComfort® S30 and iComfort Wi-Fi® Thermostats for optional service diagnostics.

⁵ Freezestat is recommended for low ambient operation.

⁶ Refer to the Installation Instructions or Service Literature for Line Set Requirements and Refrigerant Piping Guidelines.

SOUND DATA

Unit Model	Operation	Octave Band Linear Sound Power Levels dB, re 10 ⁻¹² Watts - Center Frequency - Hz								1 Sound Rating Number (SRN) (dBA)
		63	125	250	500	1000	2000	4000	8000	
024	Min.	55.9	49.0	49.0	46.3	45.1	38.2	37.7	33.8	59
	Max.	58.4	54.0	56.3	56.9	53.4	46.7	45.2	37.4	70
036	Min.	60.1	48.1	50.4	50.6	43.1	34.9	33.9	30.5	59
	Max.	63.9	58.0	62.5	63.8	60.4	54.2	48.7	41.8	73
048	Min.	56.6	52.2	55.8	57.2	52.2	45.5	39.3	39.1	66
	Max.	62.8	58.5	62.2	65.0	61.5	55.3	49.8	43.1	74
060	Min.	61.1	54.1	55.1	54.5	51.1	44.4	38.6	38.0	64
	Max.	63.7	58.9	61.9	64.3	61.1	55.2	49.0	42.6	74

¹ Sound Rating Number according to ANSI/AHRI Standard 270-2008. "SRN" is the overall A-Weighted Sound Power Level, (LWA), dB (100 Hz to 10,000 Hz).

INSTALLATION CLEARANCES - INCHES (MM)

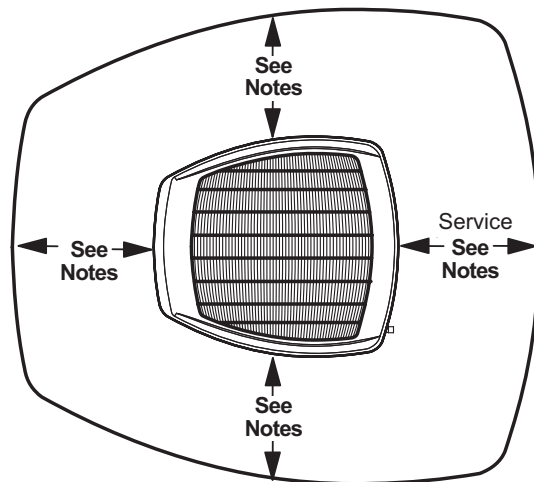
NOTES -

One of these three sides must be 36 in. (914 mm).
 One of the two remaining sides may be 12 in. (305 mm).
 The remaining side may be 6 in. (152 mm).

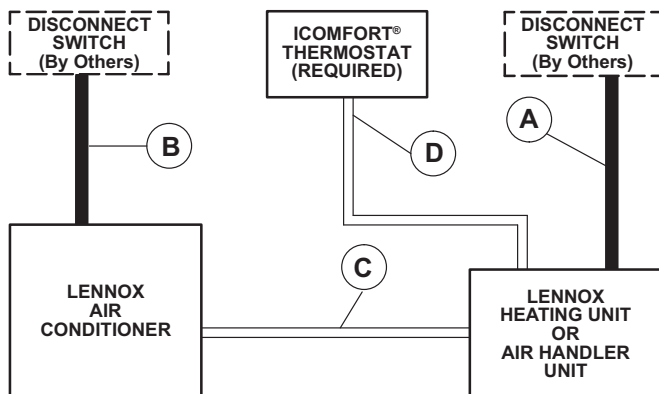
Service Clearance – 30 in. (762 mm)

48 in. (1219 mm) clearance required on top of unit

24 in. (610 mm) required between two units



FIELD WIRING



A - Two Wire Power (not furnished)

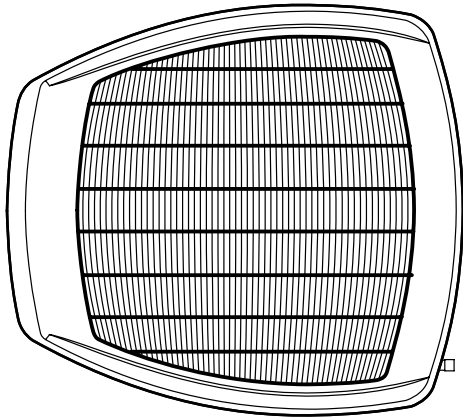
B - Two Power (not furnished) See Electrical Data

C - Four Wire Low Voltage RSBUS (not furnished) 18 ga. minimum

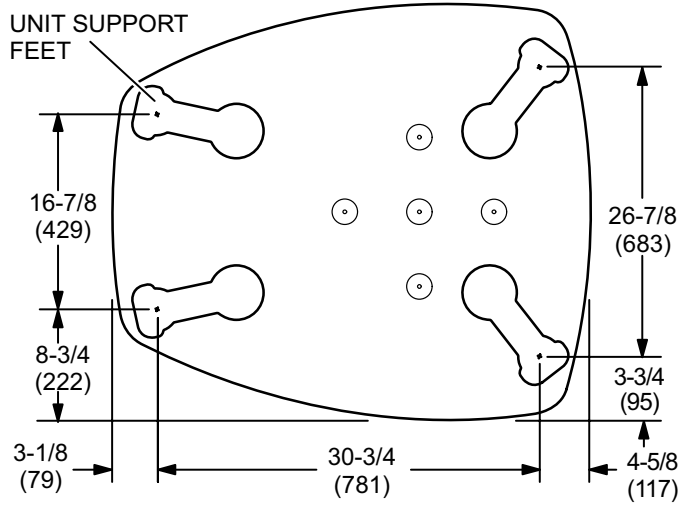
D - Four Wire Low Voltage RSBUS (not furnished) 18 ga. minimum

All wiring must conform to NEC or CEC and local electrical codes.

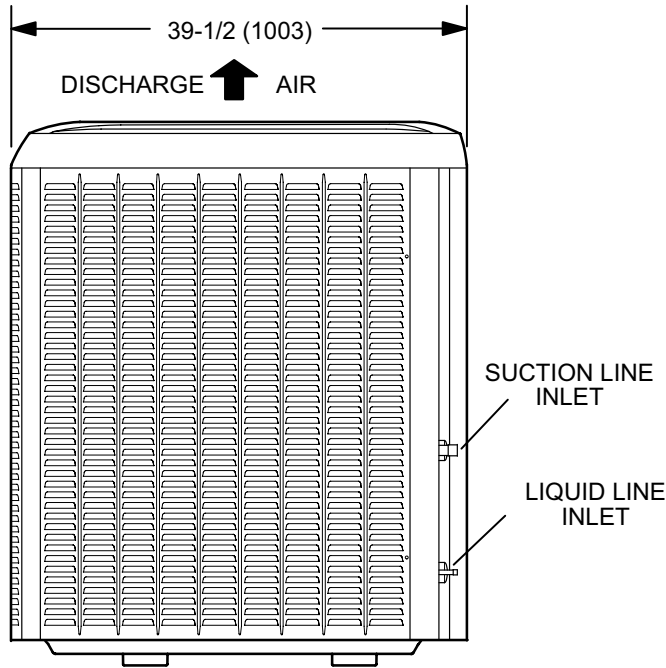
DIMENSIONS - INCHES (MM)



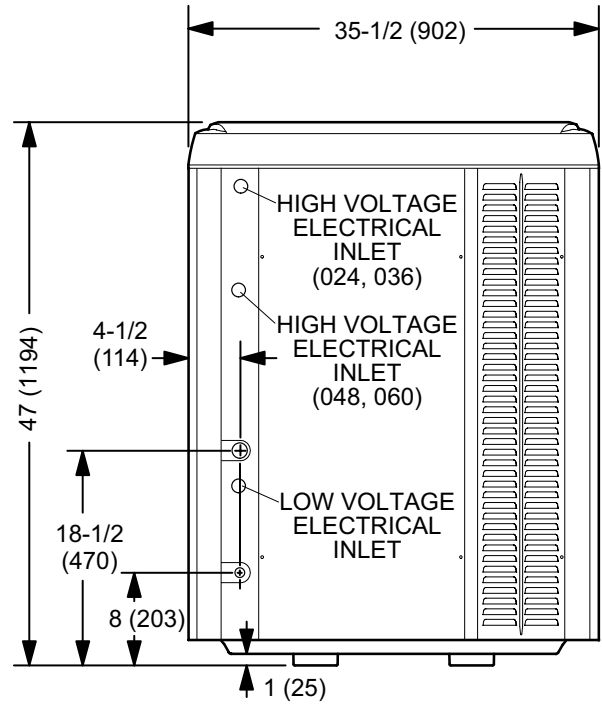
TOP VIEW



**TOP VIEW BASE SECTION
(Large Base)**



SIDE VIEW



ACCESS VIEW

TXV USAGE

Use this table for C33, C35, CH23, CH33, CH35 and CR33 Field Installed TXV Match-Ups.

Outdoor Unit Model No.	Order No.
XC25-024	12J18
XC25-036	12J19
XC25-048	12J20
XC25-060	12J20

CX34 and CX35 upflow coils and all Lennox air handlers are shipped with a factory installed TXV. In most cases, no change out of the valve is needed.

C33, C35, CH33 and CH35 coils - Factory installed orifice must be replaced with the expansion valve listed.

CR33 and CH23 coils - Use the expansion valve listed.

MOST POPULAR MATCHES

Outdoor Unit Model No.	Indoor Unit Model No
XC25-024	CBX40UHV-024
XC25-036	CBX40UHV-036
XC25-048	CBX40UHV-048
XC25-060	CBX40UHV-060

AHRI STANDARD 210/240

Cooling or heating capacities are net values, including the effects of blower motor heat, and do not include supplementary heat. Power input is the total power input to the compressor(s) and fan(s), plus any controls and other items required as part of the system for normal operation.

Units which do not have an indoor air-circulating blower furnished as part of the model, i.e., split system with indoor coil only, is established by subtracting from the total cooling capacity 1250 Btu/h per 1,000 cfm, and by adding the same amount to the heating capacity. Total power input for both heating and cooling is increased by 365 W per 1,000 cfm of indoor air circulated.

AHRI SYSTEM MATCHES

NOTE - For the latest up-to-date system matches please visit the AHRI web site at <http://www.ahridirectory.org>

Model No.	Expansion Device	Capacity	SEER	EER	Coil or Air Handler	Furnace	AHRI Reference
XC25-024-230	TXV	22,800	24.50	16.00	C33-31A	EL296UH045XV36B	7042647
XC25-024-230	TXV	22,800	25.00	16.00	C33-31A	EL296UH070XV36B	7042648
XC25-024-230	TXV	23,000	25.00	16.50	C33-31A	SL280UH070XV36A	7042649
XC25-024-230	TXV	23,000	25.50	16.50	C33-31A	SL280UH090V36B	7042650
XC25-024-230	TXV	22,800	25.50	16.00	C33-31A	SLP98UH070XV36B	7042651
XC25-024-230	TXV	22,800	25.00	16.00	C33-31B	EL296UH045XV36B	7042652
XC25-024-230	TXV	22,800	25.50	16.00	C33-31B	EL296UH070XV36B	7042653
XC25-024-230	TXV	23,000	25.00	16.50	C33-31B	SL280UH090V36B	7042654
XC25-024-230	TXV	22,800	25.50	16.00	C33-31B	SLP98UH070XV36B	7042655
XC25-024-230	TXV	22,400	25.00	16.00	C33-36	SLP98UH090XV36C	7042732
XC25-024-230	TXV	22,400	25.00	16.00	C33-36B	SLP98UH070XV36B	8552649
XC25-024-230	TXV	23,000	24.50	16.00	C33-38A	EL296UH045XV36B	7042656
XC25-024-230	TXV	23,000	25.00	16.00	C33-38A	EL296UH070XV36B	7042657
XC25-024-230	TXV	23,000	24.50	16.00	C33-38A	SL280UH070V36A	7042658
XC25-024-230	TXV	23,200	25.50	16.50	C33-38A	SL280UH090V36B	7042659
XC25-024-230	TXV	23,000	25.00	16.00	C33-38A	SLP98UH070XV36B	7042660
XC25-024-230	TXV	23,000	24.50	16.00	C33-38B	EL296UH045XV36B	7042661
XC25-024-230	TXV	23,000	25.50	16.00	C33-38B	EL296UH070XV36B	7042662
XC25-024-230	TXV	23,200	25.50	16.50	C33-38B	SL280UH090V36B	7042663
XC25-024-230	TXV	23,000	25.50	16.00	C33-38B	SLP98UH070XV36B	7042664
XC25-024-230	TXV	22,400	25.00	16.00	C35-30/36C	SLP98UH090XV36C	8248284
XC25-024-230	TXV	23,000	25.00	16.50	C35-30A	SL280UH070XV36A	8248280
XC25-024-230	TXV	22,800	25.00	16.00	C35-30B	EL296UH045XV36B	8248281
XC25-024-230	TXV	22,800	25.50	16.00	C35-30B	EL296UH070XV36B	8248282
XC25-024-230	TXV	23,000	25.00	16.50	C35-30B	SL280UH090V36B	8248056
XC25-024-230	TXV	22,800	25.50	16.00	C35-30B	SLP98UH070XV36B	8248283
XC25-024-230	TXV	23,000	24.50	16.00	C35-36A	SL280UH070V36A	8248057
XC25-024-230	TXV	23,000	24.50	16.00	C35-36B	EL296UH045XV36B	8248285
XC25-024-230	TXV	23,000	25.50	16.00	C35-36B	EL296UH070XV36B	8248058
XC25-024-230	TXV	23,200	25.50	16.50	C35-36B	SL280UH090V36B	8248286
XC25-024-230	TXV	23,000	25.50	16.00	C35-36B	SLP98UH070XV36B	8248059
XC25-024-230	TXV	22,800	24.50	16.00	CBX32MV-024/030		7042645
XC25-024-230	TXV	23,000	25.50	16.50	CBX32MV-036		7042646
XC25-024-230	TXV	23,000	26.00	16.50	CBX40UHV-024		7042643
XC25-024-230	TXV	23,000	25.00	16.50	CBX40UHV-030		7042644
XC25-024-230	TXV	22,400	23.50	15.50	CH23-51	EL296UH045XV36B	7042727
XC25-024-230	TXV	22,400	24.00	15.50	CH23-51	EL296UH070XV36B	7042728
XC25-024-230	TXV	22,400	24.00	16.00	CH23-51	SL280UH070V36A	7042729
XC25-024-230	TXV	22,400	24.50	16.00	CH23-51	SL280UH090V36B	7042730
XC25-024-230	TXV	22,400	24.00	15.50	CH23-51	SLP98UH070XV36B	7042731
XC25-024-230	TXV	22,000	24.50	15.50	CH33-19	SL280UH070XV36A	7042734
XC25-024-230	TXV	23,000	25.00	16.00	CH33-31B	EL296UH045XV36B	7042688
XC25-024-230	TXV	23,000	25.50	16.00	CH33-31B	EL296UH070XV36B	7042689
XC25-024-230	TXV	23,200	26.00	16.50	CH33-31B	SL280UH090V36B	7042690
XC25-024-230	TXV	23,000	25.50	16.00	CH33-31B	SLP98UH070XV36B	7042691
XC25-024-230	TXV	22,800	24.00	16.00	CH33-42B	EL296UH045XV36B	7042692
XC25-024-230	TXV	22,800	24.50	16.00	CH33-42B	EL296UH070XV36B	7042693
XC25-024-230	TXV	23,000	25.00	16.50	CH33-42B	SL280UH090V36B	7042694

NOTES:

TXV = Matched with Thermostatic Expansion Valve.

RFC = Matched with RFC metering device.

All matches with EL195E and ML180E gas furnaces require the use of a Blower Motor Relay Kit (**85W66**) for proper unit operation.

Ratings are AHRI Certified to AHRI Standard 210/240 (with 25 ft. of connecting refrigerant lines); 95°F outdoor air temperature, 80°F db / 67°F wb entering evaporator air. All ratings include the use of a blower time delay relay (TDR). All Lennox variable-speed furnaces and Air Handlers have time delay capabilities. Other Furnaces and Air Handlers may require an optional time delay relay (**58M81**) for field installation. See furnace or air handler specifications to determine if relay is needed.

Also see Expansion Valve Kit Usage Table.

AHRI SYSTEM MATCHES

NOTE - For the latest up-to-date system matches please visit the AHRI web site at <http://www.ahridirectory.org>

Model No.	Expansion Device	Capacity	SEER	EER	Coil or Air Handler	Furnace	AHRI Reference
XC25-024-230	TXV	22,800	24.50	16.00	CH33-42B	SLP98UH070XV36B	7042695
XC25-024-230	TXV	23,200	26.00	16.50	CH33-43C	EL296UH090XV36C	7042696
XC25-024-230	TXV	23,200	26.00	16.50	CH33-43C	SLP98UH090XV36C	7042697
XC25-024-230	TXV	23,000	25.00	16.00	CH35-30B	EL296UH045XV36B	7295826
XC25-024-230	TXV	23,000	25.50	16.00	CH35-30B	EL296UH070XV36B	7295828
XC25-024-230	TXV	23,200	26.00	16.50	CH35-30B	SL280UH090V36B	7295830
XC25-024-230	TXV	23,000	26.00	16.00	CH35-30B	SLP98UH070XV36B	7295831
XC25-024-230	TXV	22,800	24.00	16.00	CR33-48B	EL296DF045XV36B	7042683
XC25-024-230	TXV	22,800	23.00	15.50	CR33-48B	EL296DF070XV48B	7042684
XC25-024-230	TXV	22,800	23.50	16.00	CR33-48B	SL280DF090V48B	7042685
XC25-024-230	TXV	22,800	24.00	16.00	CR33-48B	SLP98DF070XV36B	7042686
XC25-024-230	TXV	23,000	24.00	16.00	CR33-48C	SLP98DF090XV36C	7042687
XC25-024-230	TXV	22,800	24.50	16.00	CX34-31A	EL296UH045XV36B	7042665
XC25-024-230	TXV	22,800	25.00	16.00	CX34-31A	EL296UH070XV36B	7042666
XC25-024-230	TXV	23,000	25.00	16.50	CX34-31A	SL280UH070XV36A	7042667
XC25-024-230	TXV	23,000	25.50	16.50	CX34-31A	SL280UH090V36B	7042668
XC25-024-230	TXV	22,800	25.50	16.00	CX34-31A	SLP98UH070XV36B	7042669
XC25-024-230	TXV	22,800	25.00	16.00	CX34-31B	EL296UH045XV36B	7042670
XC25-024-230	TXV	22,800	25.50	16.00	CX34-31B	EL296UH070XV36B	7042671
XC25-024-230	TXV	23,000	25.00	16.50	CX34-31B	SL280UH090V36B	7042672
XC25-024-230	TXV	22,800	25.50	16.00	CX34-31B	SLP98UH070XV36B	7042673
XC25-024-230	TXV	22,400	25.00	16.00	CX34-36	SLP98UH090XV36C	7042733
XC25-024-230	TXV	23,000	24.50	16.00	CX34-38A	EL296UH045XV36B	7042674
XC25-024-230	TXV	23,000	25.00	16.00	CX34-38A	EL296UH070XV36B	7042675
XC25-024-230	TXV	23,000	24.50	16.00	CX34-38A	SL280UH070V36A	7042676
XC25-024-230	TXV	23,200	25.50	16.50	CX34-38A	SL280UH090V36B	7042677
XC25-024-230	TXV	23,000	25.00	16.00	CX34-38A	SLP98UH070XV36B	7042678
XC25-024-230	TXV	23,000	24.50	16.00	CX34-38B	EL296UH045XV36B	7042679
XC25-024-230	TXV	23,000	25.50	16.00	CX34-38B	EL296UH070XV36B	7042680
XC25-024-230	TXV	23,200	25.50	16.50	CX34-38B	SL280UH090V36B	7042681
XC25-024-230	TXV	23,000	25.50	16.00	CX34-38B	SLP98UH070XV36B	7042682
XC25-024-230	TXV	22,400	25.00	16.00	CX35-30/36C	SLP98UH090XV36C	8248292
XC25-024-230	TXV	23,000	25.00	16.50	CX35-30A	SL280UH070XV36A	8248287
XC25-024-230	TXV	22,800	25.00	16.00	CX35-30B	EL296UH045XV36B	8248288
XC25-024-230	TXV	22,800	25.50	16.00	CX35-30B	EL296UH070XV36B	8248289
XC25-024-230	TXV	23,000	25.00	16.50	CX35-30B	SL280UH090V36B	8248290
XC25-024-230	TXV	22,800	25.50	16.00	CX35-30B	SLP98UH070XV36B	8248291
XC25-024-230	TXV	23,000	24.50	16.00	CX35-36A	SL280UH070V36A	8248060
XC25-024-230	TXV	23,000	24.50	16.00	CX35-36B	EL296UH045XV36B	8248293
XC25-024-230	TXV	23,000	25.50	16.00	CX35-36B	EL296UH070XV36B	8248294
XC25-024-230	TXV	23,200	25.50	16.50	CX35-36B	SL280UH090V36B	8248295
XC25-024-230	TXV	23,000	25.50	16.00	CX35-36B	SLP98UH070XV36B	8248061
XC25-036-230	TXV	34,000	22.00	13.00	C33-36	SLP98UH070XV36B	6721794
XC25-036-230	TXV	34,200	22.50	13.50	C33-36	SLP98UH090XV36C	6802982
XC25-036-230	TXV	35,200	22.50	13.50	C33-38	EL296UH045XV36B	5947289
XC25-036-230	TXV	35,400	23.00	14.00	C33-38	EL296UH070XV36B	5947290
XC25-036-230	TXV	35,400	22.50	14.00	C33-38	SL280UH070V36A	5947288
XC25-036-230	TXV	35,400	22.50	14.00	C33-38	SL280UH070XV36A	6108156

NOTES:

TXV = Matched with Thermostatic Expansion Valve.

RFC = Matched with RFC metering device.

All matches with EL195E and ML180E gas furnaces require the use of a Blower Motor Relay Kit (**85W66**) for proper unit operation.

Ratings are AHRI Certified to AHRI Standard 210/240 (with 25 ft. of connecting refrigerant lines); 95°F outdoor air temperature, 80°F db / 67°F wb entering evaporator air. All ratings include the use of a blower time delay relay (TDR). All Lennox variable-speed furnaces and Air Handlers have time delay capabilities. Other Furnaces and Air Handlers may require an optional time delay relay (**58M81**) for field installation. See furnace or air handler specifications to determine if relay is needed.

Also see Expansion Valve Kit Usage Table.

AHRI SYSTEM MATCHES

NOTE - For the latest up-to-date system matches please visit the AHRI web site at <http://www.ahridirectory.org>

Model No.	Expansion Device	Capacity	SEER	EER	Coil or Air Handler	Furnace	AHRI Reference
XC25-036-230	TXV	35,600	23.50	14.50	C33-38	SL280UH090V36B	5947291
XC25-036-230	TXV	35,600	22.50	14.50	C33-38	SL280UH090V48B	5947292
XC25-036-230	TXV	35,600	22.50	14.50	C33-38	SL280UH090XV48B	6108157
XC25-036-230	TXV	35,400	23.00	14.00	C33-38	SLP98UH070XV36B	5947293
XC25-036-230	TXV	35,600	22.50	14.50	C33-43	EL296UH110XV48C	7133791
XC25-036-230	TXV	35,600	22.00	14.50	C33-43	EL296UH110XV60C	7133793
XC25-036-230	TXV	35,600	22.00	14.50	C33-43	SLP98UH110XV60C	7133836
XC25-036-230	TXV	35,400	22.50	14.00	C33-43B	EL296UH045XV36B	5947294
XC25-036-230	TXV	35,600	23.00	14.00	C33-43B	EL296UH070XV36B	5947295
XC25-036-230	TXV	35,800	23.00	14.50	C33-43B	SL280UH090V36B	5947296
XC25-036-230	TXV	35,600	22.50	14.50	C33-43B	SL280UH090V48B	5947297
XC25-036-230	TXV	35,600	22.50	14.50	C33-43B	SL280UH090XV48B	6108158
XC25-036-230	TXV	35,600	23.00	14.00	C33-43B	SLP98UH070XV36B	5947298
XC25-036-230	TXV	35,600	23.50	14.50	C33-43C	EL296UH090XV36C	5947299
XC25-036-230	TXV	35,800	23.00	14.50	C33-43C	EL296UH090XV48C	5947300
XC25-036-230	TXV	35,600	23.50	14.50	C33-43C	SLP98UH090XV36C	5947301
XC25-036-230	TXV	35,800	23.00	14.50	C33-43C	SLP98UH090XV48C	5947302
XC25-036-230	TXV	35,000	22.50	13.50	C33-48	EL296UH045XV36B	5947303
XC25-036-230	TXV	35,000	22.50	13.50	C33-48	EL296UH070XV36B	5947304
XC25-036-230	TXV	35,200	22.50	14.00	C33-48	EL296UH090XV36C	5947308
XC25-036-230	TXV	35,200	22.00	14.00	C33-48	EL296UH090XV48C	5947309
XC25-036-230	TXV	35,000	21.00	14.00	C33-48	EL296UH110XV60C	7150145
XC25-036-230	TXV	35,200	23.00	14.00	C33-48	SL280UH090V36B	5947305
XC25-036-230	TXV	35,200	22.50	14.00	C33-48	SL280UH090V48B	5947306
XC25-036-230	TXV	35,200	22.50	14.00	C33-48	SL280UH090XV48B	6108159
XC25-036-230	TXV	35,000	22.50	13.50	C33-48	SLP98UH070XV36B	5947307
XC25-036-230	TXV	35,200	22.50	14.00	C33-48	SLP98UH090XV36C	5947310
XC25-036-230	TXV	35,200	22.00	14.00	C33-48	SLP98UH090XV48C	5947311
XC25-036-230	TXV	35,600	22.50	14.50	C33-50/60C	EL296UH090XV36C	5947312
XC25-036-230	TXV	35,600	22.50	14.50	C33-50/60C	EL296UH090XV48C	5947313
XC25-036-230	TXV	35,600	22.50	14.50	C33-50/60C	SLP98UH090XV36C	5947314
XC25-036-230	TXV	35,600	22.50	14.50	C33-50/60C	SLP98UH090XV48C	5947315
XC25-036-230	TXV	34,000	22.00	13.00	C35-30/36B	SLP98UH070XV36B	8248296
XC25-036-230	TXV	34,200	22.50	13.50	C35-30/36C	SLP98UH090XV36C	8248297
XC25-036-230	TXV	35,400	22.50	14.00	C35-36A	SL280UH070V36A	8248247
XC25-036-230	TXV	35,200	22.50	13.50	C35-36B	EL296UH045XV36B	8248298
XC25-036-230	TXV	35,400	23.00	14.00	C35-36B	EL296UH070XV36B	8248248
XC25-036-230	TXV	35,600	23.50	14.50	C35-36B	SL280UH090V36B	8248043
XC25-036-230	TXV	35,600	22.50	14.50	C35-36B	SL280UH090V48B	8248044
XC25-036-230	TXV	35,400	23.00	14.00	C35-36B	SLP98UH070XV36B	8248249
XC25-036-230	TXV	35,400	22.50	14.00	C35-48B	EL296UH045XV36B	8248250
XC25-036-230	TXV	35,600	23.00	14.00	C35-48B	EL296UH070XV36B	8248251
XC25-036-230	TXV	35,800	23.00	14.50	C35-48B	SL280UH090V36B	8248045
XC25-036-230	TXV	35,600	22.50	14.50	C35-48B	SL280UH090V48B	8248046
XC25-036-230	TXV	35,600	23.00	14.00	C35-48B	SLP98UH070XV36B	8248047
XC25-036-230	TXV	35,600	23.50	14.50	C35-48C	EL296UH090XV36C	8248252
XC25-036-230	TXV	35,800	23.00	14.50	C35-48C	EL296UH090XV48C	8248048
XC25-036-230	TXV	35,600	23.50	14.50	C35-48C	SLP98UH090XV36C	8248253

NOTES:

TXV = Matched with Thermostatic Expansion Valve.

RFC = Matched with RFC metering device.

All matches with EL195E and ML180E gas furnaces require the use of a Blower Motor Relay Kit (**85W66**) for proper unit operation.

Ratings are AHRI Certified to AHRI Standard 210/240 (with 25 ft. of connecting refrigerant lines); 95°F outdoor air temperature, 80°F db / 67°F wb entering evaporator air. All ratings include the use of a blower time delay relay (TDR). All Lennox variable-speed furnaces and Air Handlers have time delay capabilities. Other Furnaces and Air Handlers may require an optional time delay relay (**58M81**) for field installation. See furnace or air handler specifications to determine if relay is needed.

Also see Expansion Valve Kit Usage Table.

AHRI SYSTEM MATCHES

NOTE - For the latest up-to-date system matches please visit the AHRI web site at <http://www.ahridirectory.org>

Model No.	Expansion Device	Capacity	SEER	EER	Coil or Air Handler	Furnace	AHRI Reference
XC25-036-230	TXV	35,800	23.00	14.50	C35-48C	SLP98UH090XV48C	8248254
XC25-036-230	TXV	35,800	23.00	14.50	C35-49C	EL296UH090XV36C	8248255
XC25-036-230	TXV	35,800	22.50	14.50	C35-49C	EL296UH090XV48C	8248256
XC25-036-230	TXV	35,800	23.00	14.50	C35-49C	SLP98UH090XV36C	8248257
XC25-036-230	TXV	35,800	22.50	14.50	C35-49C	SLP98UH090XV48C	8248258
XC25-036-230	TXV	35,400	22.50	14.50	C35-50/60C	EL296UH090XV36C	8248259
XC25-036-230	TXV	35,600	22.50	14.50	C35-50/60C	EL296UH090XV48C	8248260
XC25-036-230	TXV	35,400	22.50	14.50	C35-50/60C	SLP98UH090XV36C	8248261
XC25-036-230	TXV	35,600	22.50	14.50	C35-50/60C	SLP98UH090XV48C	8248262
XC25-036-230	TXV	34,800	23.00	14.00	CBX32MV-036		5947287
XC25-036-230	TXV	35,000	23.00	14.00	CBX40UHV-036		5947286
XC25-036-230	TXV	34,600	22.00	13.50	CH23-51	EL296UH045XV36B	5947350
XC25-036-230	TXV	34,600	22.00	13.50	CH23-51	EL296UH070XV36B	5947351
XC25-036-230	TXV	34,600	22.50	14.00	CH23-51	EL296UH090XV36C	5947355
XC25-036-230	TXV	34,800	22.00	14.00	CH23-51	EL296UH090XV48C	5947356
XC25-036-230	TXV	34,800	22.50	14.00	CH23-51	SL280UH090V36B	5947352
XC25-036-230	TXV	34,800	22.00	14.00	CH23-51	SL280UH090V48B	5947353
XC25-036-230	TXV	34,800	22.00	14.00	CH23-51	SL280UH090XV48B	6108164
XC25-036-230	TXV	34,600	22.00	13.50	CH23-51	SLP98UH070XV36B	5947354
XC25-036-230	TXV	34,600	22.50	14.00	CH23-51	SLP98UH090XV36C	5947357
XC25-036-230	TXV	34,800	22.00	14.00	CH23-51	SLP98UH090XV48C	5947358
XC25-036-230	TXV	34,600	23.00	14.00	CH33-36C	SLP98UH090XV36C	8283553
XC25-036-230	TXV	34,800	22.00	13.50	CH33-42	EL296UH045XV36B	5947359
XC25-036-230	TXV	34,800	22.50	13.50	CH33-42	EL296UH070XV36B	5947360
XC25-036-230	TXV	35,000	22.50	14.00	CH33-42	SL280UH090V36B	5947361
XC25-036-230	TXV	35,000	22.00	14.00	CH33-42	SL280UH090V48B	5947362
XC25-036-230	TXV	35,000	22.00	14.00	CH33-42	SL280UH090XV48B	6108165
XC25-036-230	TXV	34,800	22.50	13.50	CH33-42	SLP98UH070XV36B	5947363
XC25-036-230	TXV	35,800	23.50	14.50	CH33-43	EL296UH090XV36C	5947364
XC25-036-230	TXV	35,800	23.00	14.50	CH33-43	EL296UH090XV48C	5947365
XC25-036-230	TXV	36,000	23.00	14.00	CH33-43	SL280UH090V36B	8326607
XC25-036-230	TXV	35,800	23.50	14.50	CH33-43	SLP98UH090XV36C	5947366
XC25-036-230	TXV	35,800	23.00	14.50	CH33-43	SLP98UH090XV48C	5947367
XC25-036-230	TXV	35,400	22.50	14.00	CH33-44/48	EL296UH045XV36B	5947368
XC25-036-230	TXV	35,400	22.50	14.00	CH33-44/48	EL296UH070XV36B	5947369
XC25-036-230	TXV	35,600	23.00	14.50	CH33-44/48	SL280UH090V36B	5947370
XC25-036-230	TXV	35,600	22.50	14.50	CH33-44/48	SL280UH090V48B	5947371
XC25-036-230	TXV	35,600	22.50	14.50	CH33-44/48	SL280UH090XV48B	6108166
XC25-036-230	TXV	35,400	22.50	14.00	CH33-44/48	SLP98UH070XV36B	5947372
XC25-036-230	TXV	35,600	22.50	14.50	CH33-48	EL296UH090XV36C	5947373
XC25-036-230	TXV	35,600	22.50	14.50	CH33-48	EL296UH090XV48C	5947374
XC25-036-230	TXV	35,600	22.50	14.50	CH33-48	SLP98UH090XV36C	5947375
XC25-036-230	TXV	35,600	22.50	14.50	CH33-48	SLP98UH090XV48C	5947376
XC25-036-230	TXV	35,800	23.00	14.00	CH35-42C	EL296UH090XV36C	7164593
XC25-036-230	TXV	36,000	23.00	14.00	CH35-42C	EL296UH090XV48C	7164594
XC25-036-230	TXV	35,800	23.00	14.00	CH35-42C	SLP98UH090XV36C	7164595
XC25-036-230	TXV	36,000	23.00	14.00	CH35-42C	SLP98UH090XV48C	7164596
XC25-036-230	TXV	35,400	22.00	13.00	CH35-48B	EL296UH045XV36B	7164597

NOTES:

TXV = Matched with Thermostatic Expansion Valve.

RFC = Matched with RFC metering device.

All matches with EL195E and ML180E gas furnaces require the use of a Blower Motor Relay Kit (**85W66**) for proper unit operation.

Ratings are AHRI Certified to AHRI Standard 210/240 (with 25 ft. of connecting refrigerant lines); 95°F outdoor air temperature, 80°F db / 67°F wb entering evaporator air. All ratings include the use of a blower time delay relay (TDR). All Lennox variable-speed furnaces and Air Handlers have time delay capabilities. Other Furnaces and Air Handlers may require an optional time delay relay (**58M81**) for field installation. See furnace or air handler specifications to determine if relay is needed.

Also see Expansion Valve Kit Usage Table.

AHRI SYSTEM MATCHES

NOTE - For the latest up-to-date system matches please visit the AHRI web site at <http://www.ahridirectory.org>

Model No.	Expansion Device	Capacity	SEER	EER	Coil or Air Handler	Furnace	AHRI Reference
XC25-036-230	TXV	35,600	23.00	14.00	CH35-48B	EL296UH070XV36B	7164598
XC25-036-230	TXV	35,800	23.00	14.00	CH35-48B	SL280UH090V36B	7164599
XC25-036-230	TXV	35,800	22.00	14.00	CH35-48B	SL280UH090V48B	7164600
XC25-036-230	TXV	35,600	23.00	14.00	CH35-48B	SLP98UH070XV36B	7164601
XC25-036-230	TXV	35,600	22.00	14.00	CH35-48C	EL296UH090XV36C	7164602
XC25-036-230	TXV	35,800	22.00	14.00	CH35-48C	EL296UH090XV48C	7164603
XC25-036-230	TXV	35,600	22.00	14.00	CH35-48C	SLP98UH090XV36C	7164604
XC25-036-230	TXV	35,800	22.00	14.00	CH35-48C	SLP98UH090XV48C	7164606
XC25-036-230	TXV	35,000	22.00	14.00	CR33-48	EL296DF045XV36B	5947344
XC25-036-230	TXV	35,000	21.50	13.50	CR33-48	EL296DF070XV48B	5947345
XC25-036-230	TXV	35,200	22.00	14.00	CR33-48	SL280DF090V48B	5947346
XC25-036-230	TXV	35,000	22.50	14.00	CR33-48	SLP98DF070XV36B	5947347
XC25-036-230	TXV	35,000	23.00	14.00	CR33-48	SLP98DF090XV36C	5947348
XC25-036-230	TXV	35,000	22.50	14.00	CR33-48	SLP98DF090XV48C	5947349
XC25-036-230	TXV	34,000	22.00	13.00	CX34-36	SLP98UH070XV36B	6740357
XC25-036-230	TXV	34,200	22.50	13.00	CX34-36	SLP98UH090XV36C	6802983
XC25-036-230	TXV	35,200	22.50	13.50	CX34-38	EL296UH045XV36B	5947317
XC25-036-230	TXV	35,400	23.00	14.00	CX34-38	EL296UH070XV36B	5947318
XC25-036-230	TXV	35,400	22.50	14.00	CX34-38	SL280UH070V36A	5947316
XC25-036-230	TXV	35,400	22.50	14.00	CX34-38	SL280UH070XV36A	6108160
XC25-036-230	TXV	35,600	23.50	14.50	CX34-38	SL280UH090V36B	5947319
XC25-036-230	TXV	35,600	22.50	14.50	CX34-38	SL280UH090V48B	5947320
XC25-036-230	TXV	35,600	22.50	14.50	CX34-38	SL280UH090XV48B	6108161
XC25-036-230	TXV	35,400	23.00	14.00	CX34-38	SLP98UH070XV36B	5947321
XC25-036-230	TXV	35,400	22.50	14.00	CX34-43	EL296UH045XV36B	5947322
XC25-036-230	TXV	35,600	23.00	14.00	CX34-43	EL296UH070XV36B	5947323
XC25-036-230	TXV	35,600	23.50	14.50	CX34-43	EL296UH090XV36C	5947327
XC25-036-230	TXV	35,800	23.00	14.50	CX34-43	EL296UH090XV48C	5947328
XC25-036-230	TXV	35,600	22.50	14.50	CX34-43	EL296UH110XV48C	7133792
XC25-036-230	TXV	35,600	22.00	14.50	CX34-43	EL296UH110XV60C	7133794
XC25-036-230	TXV	35,800	23.00	14.50	CX34-43	SL280UH090V36B	5947324
XC25-036-230	TXV	35,600	22.50	14.50	CX34-43	SL280UH090V48B	5947325
XC25-036-230	TXV	35,600	22.50	14.50	CX34-43	SL280UH090XV48B	6108162
XC25-036-230	TXV	35,600	23.00	14.00	CX34-43	SLP98UH070XV36B	5947326
XC25-036-230	TXV	35,600	23.50	14.50	CX34-43	SLP98UH090XV36C	5947329
XC25-036-230	TXV	35,800	23.00	14.50	CX34-43	SLP98UH090XV48C	5947330
XC25-036-230	TXV	35,600	22.00	14.50	CX34-43	SLP98UH110XV60C	7133837
XC25-036-230	TXV	35,000	22.50	13.50	CX34-44/48	EL296UH045XV36B	6332945
XC25-036-230	TXV	35,000	22.50	13.50	CX34-44/48	EL296UH070XV36B	6332946
XC25-036-230	TXV	35,200	22.50	14.00	CX34-44/48	EL296UH090XV36C	6332950
XC25-036-230	TXV	35,200	22.00	14.00	CX34-44/48	EL296UH090XV48C	6332951
XC25-036-230	TXV	35,200	23.00	14.00	CX34-44/48	SL280UH090V36B	6332947
XC25-036-230	TXV	35,200	22.50	14.00	CX34-44/48	SL280UH090V48B	6332948
XC25-036-230	TXV	35,200	22.50	14.00	CX34-44/48	SL280UH090XV48B	6332954
XC25-036-230	TXV	35,000	22.50	13.50	CX34-44/48	SLP98UH070XV36B	6332949
XC25-036-230	TXV	35,200	22.50	14.00	CX34-44/48	SLP98UH090XV36C	6332952
XC25-036-230	TXV	35,200	22.00	14.00	CX34-44/48	SLP98UH090XV48C	6332953
XC25-036-230	TXV	35,000	21.00	14.00	CX34-44/48C	EL296UH110XV60C	7150146

NOTES:

TXV = Matched with Thermostatic Expansion Valve.

RFC = Matched with RFC metering device.

All matches with EL195E and ML180E gas furnaces require the use of a Blower Motor Relay Kit (**85W66**) for proper unit operation.

Ratings are AHRI Certified to AHRI Standard 210/240 (with 25 ft. of connecting refrigerant lines); 95°F outdoor air temperature, 80°F db / 67°F wb entering evaporator air. All ratings include the use of a blower time delay relay (TDR). All Lennox variable-speed furnaces and Air Handlers have time delay capabilities. Other Furnaces and Air Handlers may require an optional time delay relay (**58M81**) for field installation. See furnace or air handler specifications to determine if relay is needed.

Also see Expansion Valve Kit Usage Table.

AHRI SYSTEM MATCHES

NOTE - For the latest up-to-date system matches please visit the AHRI web site at <http://www.ahridirectory.org>

Model No.	Expansion Device	Capacity	SEER	EER	Coil or Air Handler	Furnace	AHRI Reference
XC25-036-230	TXV	35,600	22.50	14.50	CX34-50/60C	EL296UH090XV36C	5947340
XC25-036-230	TXV	35,600	22.50	14.50	CX34-50/60C	EL296UH090XV48C	5947341
XC25-036-230	TXV	35,600	22.50	14.50	CX34-50/60C	SLP98UH090XV36C	5947342
XC25-036-230	TXV	35,600	22.50	14.50	CX34-50/60C	SLP98UH090XV48C	5947343
XC25-036-230	TXV	34,200	22.50	13.50	CX35-30/36C	SLP98UH090XV36C	8248049
XC25-036-230	TXV	35,400	22.50	14.00	CX35-36A	SL280UH070XV36A	8248263
XC25-036-230	TXV	35,200	22.50	13.50	CX35-36B	EL296UH045XV36B	8248264
XC25-036-230	TXV	35,400	23.00	14.00	CX35-36B	EL296UH070XV36B	8248265
XC25-036-230	TXV	35,600	23.50	14.50	CX35-36B	SL280UH090V36B	8248050
XC25-036-230	TXV	35,600	22.50	14.50	CX35-36B	SL280UH090V48B	8248051
XC25-036-230	TXV	35,400	23.00	14.00	CX35-36B	SLP98UH070XV36B	8248266
XC25-036-230	TXV	35,400	22.50	14.00	CX35-48B	EL296UH045XV36B	8248267
XC25-036-230	TXV	35,600	23.00	14.00	CX35-48B	EL296UH070XV36B	8248268
XC25-036-230	TXV	35,800	23.00	14.50	CX35-48B	SL280UH090V36B	8248052
XC25-036-230	TXV	35,600	22.50	14.50	CX35-48B	SL280UH090V48B	8248053
XC25-036-230	TXV	35,600	23.00	14.00	CX35-48B	SLP98UH070XV36B	8248054
XC25-036-230	TXV	35,600	23.50	14.50	CX35-48C	EL296UH090XV36C	8248269
XC25-036-230	TXV	35,800	23.00	14.50	CX35-48C	EL296UH090XV48C	8248055
XC25-036-230	TXV	35,600	23.50	14.50	CX35-48C	SLP98UH090XV36C	8248270
XC25-036-230	TXV	35,800	23.00	14.50	CX35-48C	SLP98UH090XV48C	8248271
XC25-036-230	TXV	35,800	23.00	14.50	CX35-49C	EL296UH090XV36C	8248272
XC25-036-230	TXV	35,800	22.50	14.50	CX35-49C	EL296UH090XV48C	8248273
XC25-036-230	TXV	35,800	23.00	14.50	CX35-49C	SLP98UH090XV36C	8248274
XC25-036-230	TXV	35,800	22.50	14.50	CX35-49C	SLP98UH090XV48C	8248275
XC25-036-230	TXV	35,400	22.50	14.50	CX35-50/60C	EL296UH090XV36C	8248276
XC25-036-230	TXV	35,600	22.50	14.50	CX35-50/60C	EL296UH090XV48C	8248277
XC25-036-230	TXV	35,400	22.50	14.50	CX35-50/60C	SLP98UH090XV36C	8248278
XC25-036-230	TXV	35,600	22.50	14.50	CX35-50/60C	SLP98UH090XV48C	8248279
XC25-048-230	TXV	47,500	19.00	13.00	C33-43B	SL280UH090V48B	5947390
XC25-048-230	TXV	47,500	19.00	13.00	C33-43B	SL280UH090XV48B	6108174
XC25-048-230	TXV	47,500	19.50	13.00	C33-43C	EL296UH090XV48C	5947391
XC25-048-230	TXV	48,000	19.00	13.00	C33-43C	EL296UH090XV60C	5947392
XC25-048-230	TXV	48,000	19.50	13.00	C33-43C	EL296UH110XV48C	5947393
XC25-048-230	TXV	47,500	19.00	13.00	C33-43C	EL296UH110XV60C	5947394
XC25-048-230	TXV	48,000	19.00	13.50	C33-43C	SL280UH090V60C	5947395
XC25-048-230	TXV	48,000	19.00	13.00	C33-43C	SL280UH090XV60C	6108175
XC25-048-230	TXV	48,000	19.00	13.00	C33-43C	SL280UH110V60C	5947396
XC25-048-230	TXV	48,000	19.00	13.00	C33-43C	SL280UH110XV60C	6108176
XC25-048-230	TXV	47,500	19.50	13.00	C33-43C	SLP98UH090XV48C	5947397
XC25-048-230	TXV	48,000	19.00	13.00	C33-43C	SLP98UH090XV60C	5947398
XC25-048-230	TXV	47,500	19.00	13.00	C33-43C	SLP98UH110XV60C	5947399
XC25-048-230	TXV	46,500	19.00	12.50	C33-48B	SL280UH090V48B	5947400
XC25-048-230	TXV	46,500	19.00	12.50	C33-48B	SL280UH090XV48B	6108167
XC25-048-230	TXV	46,500	20.00	12.50	C33-48C	EL296UH090XV48C	5947401
XC25-048-230	TXV	46,500	19.50	12.50	C33-48C	EL296UH090XV60C	5947402
XC25-048-230	TXV	46,500	19.50	12.50	C33-48C	EL296UH110XV48C	5947403
XC25-048-230	TXV	46,500	19.50	12.50	C33-48C	EL296UH110XV60C	5947404
XC25-048-230	TXV	47,000	19.50	13.00	C33-48C	SL280UH090V60C	5947405

NOTES:

TXV = Matched with Thermostatic Expansion Valve.

RFC = Matched with RFC metering device.

All matches with EL195E and ML180E gas furnaces require the use of a Blower Motor Relay Kit (**85W66**) for proper unit operation.

Ratings are AHRI Certified to AHRI Standard 210/240 (with 25 ft. of connecting refrigerant lines); 95°F outdoor air temperature, 80°F db / 67°F wb entering evaporator air. All ratings include the use of a blower time delay relay (TDR). All Lennox variable-speed furnaces and Air Handlers have time delay capabilities. Other Furnaces and Air Handlers may require an optional time delay relay (**58M81**) for field installation. See furnace or air handler specifications to determine if relay is needed.

Also see Expansion Valve Kit Usage Table.

AHRI SYSTEM MATCHES

NOTE - For the latest up-to-date system matches please visit the AHRI web site at <http://www.ahridirectory.org>

Model No.	Expansion Device	Capacity	SEER	EER	Coil or Air Handler	Furnace	AHRI Reference
XC25-048-230	TXV	47,000	19.50	13.00	C33-48C	SL280UH090XV60C	6108168
XC25-048-230	TXV	46,500	19.50	12.50	C33-48C	SL280UH110V60C	5947406
XC25-048-230	TXV	46,500	19.50	12.50	C33-48C	SL280UH110XV60C	6108169
XC25-048-230	TXV	46,500	20.00	12.50	C33-48C	SLP98UH090XV48C	5947407
XC25-048-230	TXV	46,500	19.50	12.50	C33-48C	SLP98UH090XV60C	5947408
XC25-048-230	TXV	46,500	19.50	12.50	C33-48C	SLP98UH110XV60C	5947409
XC25-048-230	TXV	48,000	19.00	13.00	C33-49C	EL296UH090XV48C	5947381
XC25-048-230	TXV	48,500	19.00	13.50	C33-49C	EL296UH090XV60C	5947382
XC25-048-230	TXV	48,500	19.00	13.50	C33-49C	EL296UH110XV48C	5947383
XC25-048-230	TXV	48,500	19.00	13.00	C33-49C	EL296UH110XV60C	5947384
XC25-048-230	TXV	48,500	19.00	13.50	C33-49C	SL280UH090V60C	5947385
XC25-048-230	TXV	48,500	19.00	13.50	C33-49C	SL280UH090XV60C	6108172
XC25-048-230	TXV	48,500	18.50	13.50	C33-49C	SL280UH110V60C	5947386
XC25-048-230	TXV	48,500	18.50	13.50	C33-49C	SL280UH110XV60C	6108173
XC25-048-230	TXV	48,000	19.00	13.00	C33-49C	SLP98UH090XV48C	5947387
XC25-048-230	TXV	48,500	19.00	13.50	C33-49C	SLP98UH090XV60C	5947388
XC25-048-230	TXV	48,500	19.00	13.00	C33-49C	SLP98UH110XV60C	5947389
XC25-048-230	TXV	47,500	20.00	13.00	C33-50/60C	EL296UH090XV48C	5947410
XC25-048-230	TXV	47,500	20.00	13.00	C33-50/60C	EL296UH090XV60C	5947411
XC25-048-230	TXV	47,500	20.00	13.00	C33-50/60C	EL296UH110XV48C	5947412
XC25-048-230	TXV	47,500	19.50	13.00	C33-50/60C	EL296UH110XV60C	5947413
XC25-048-230	TXV	47,500	20.00	13.00	C33-50/60C	SL280UH090V60C	5947414
XC25-048-230	TXV	47,500	20.00	13.00	C33-50/60C	SL280UH090XV60C	6108177
XC25-048-230	TXV	47,500	19.50	13.00	C33-50/60C	SL280UH110V60C	5947415
XC25-048-230	TXV	47,500	19.50	13.00	C33-50/60C	SL280UH110XV60C	6108178
XC25-048-230	TXV	47,500	20.00	13.00	C33-50/60C	SLP98UH090XV48C	5947416
XC25-048-230	TXV	47,500	20.00	13.00	C33-50/60C	SLP98UH090XV60C	5947417
XC25-048-230	TXV	47,500	19.50	13.00	C33-50/60C	SLP98UH110XV60C	5947418
XC25-048-230	TXV	48,000	20.00	13.00	C33-60D	SLP98UH135XV60D	6803000
XC25-048-230	TXV	47,500	19.00	13.00	C35-48B	SL280UH090XV48B	8248198
XC25-048-230	TXV	47,500	19.50	13.00	C35-48C	EL296UH090XV48C	8248036
XC25-048-230	TXV	48,000	19.00	13.00	C35-48C	EL296UH090XV60C	8248199
XC25-048-230	TXV	48,000	19.00	13.00	C35-48C	EL296UH110XV48C	8248200
XC25-048-230	TXV	47,500	19.00	13.00	C35-48C	EL296UH110XV60C	8248037
XC25-048-230	TXV	48,000	19.00	13.00	C35-48C	SL280UH090V60C	8248038
XC25-048-230	TXV	48,000	19.00	13.00	C35-48C	SL280UH110V60C	8248201
XC25-048-230	TXV	47,500	19.50	13.00	C35-48C	SLP98UH090XV48C	8248202
XC25-048-230	TXV	48,000	19.00	13.00	C35-48C	SLP98UH090XV60C	8248203
XC25-048-230	TXV	47,500	19.00	13.00	C35-48C	SLP98UH110XV60C	8248204
XC25-048-230	TXV	48,000	19.00	13.00	C35-49C	EL296UH090XV48C	8248205
XC25-048-230	TXV	48,000	19.00	13.00	C35-49C	EL296UH090XV60C	8248206
XC25-048-230	TXV	48,000	19.00	13.00	C35-49C	EL296UH110XV48C	8248207
XC25-048-230	TXV	48,000	19.00	13.00	C35-49C	EL296UH110XV60C	8248208
XC25-048-230	TXV	48,000	19.00	13.50	C35-49C	SL280UH090V60C	8248209
XC25-048-230	TXV	48,000	18.50	13.00	C35-49C	SL280UH110V60C	8248210
XC25-048-230	TXV	48,000	19.00	13.00	C35-49C	SLP98UH090XV48C	8248211
XC25-048-230	TXV	48,000	19.00	13.00	C35-49C	SLP98UH090XV60C	8248212
XC25-048-230	TXV	48,000	19.00	13.00	C35-49C	SLP98UH110XV60C	8248213

NOTES:

TXV = Matched with Thermostatic Expansion Valve.

RFC = Matched with RFC metering device.

All matches with EL195E and ML180E gas furnaces require the use of a Blower Motor Relay Kit (**85W66**) for proper unit operation.

Ratings are AHRI Certified to AHRI Standard 210/240 (with 25 ft. of connecting refrigerant lines); 95°F outdoor air temperature, 80°F db / 67°F wb entering evaporator air. All ratings include the use of a blower time delay relay (TDR). All Lennox variable-speed furnaces and Air Handlers have time delay capabilities. Other Furnaces and Air Handlers may require an optional time delay relay (**58M81**) for field installation. See furnace or air handler specifications to determine if relay is needed.

Also see Expansion Valve Kit Usage Table.

AHRI SYSTEM MATCHES

NOTE - For the latest up-to-date system matches please visit the AHRI web site at <http://www.ahridirectory.org>

Model No.	Expansion Device	Capacity	SEER	EER	Coil or Air Handler	Furnace	AHRI Reference
XC25-048-230	TXV	47,500	20.00	13.00	C35-50/60C	EL296UH090XV48C	8248214
XC25-048-230	TXV	47,500	20.00	13.00	C35-50/60C	EL296UH090XV60C	8248215
XC25-048-230	TXV	47,500	20.00	13.00	C35-50/60C	EL296UH110XV48C	8248216
XC25-048-230	TXV	47,500	19.50	13.00	C35-50/60C	EL296UH110XV60C	8248217
XC25-048-230	TXV	47,500	20.00	13.00	C35-50/60C	SL280UH090V60C	8248218
XC25-048-230	TXV	47,500	19.50	13.00	C35-50/60C	SL280UH110V60C	8248219
XC25-048-230	TXV	47,500	20.00	13.00	C35-50/60C	SLP98UH090XV48C	8248220
XC25-048-230	TXV	47,500	20.00	13.00	C35-50/60C	SLP98UH090XV60C	8248221
XC25-048-230	TXV	47,500	19.50	13.00	C35-50/60C	SLP98UH110XV60C	8248222
XC25-048-230	TXV	48,000	20.50	13.50	CBX32MV-048		5947379
XC25-048-230	TXV	48,500	20.50	13.50	CBX32MV-060		5947380
XC25-048-230	TXV	48,500	21.00	13.50	CBX40UHV-048		5947377
XC25-048-230	TXV	48,500	20.50	13.50	CBX40UHV-060		5947378
XC25-048-230	TXV	47,500	20.00	13.00	CH33-48C	SLP98UH090XV60C	8086945
XC25-048-230	TXV	48,500	20.50	13.00	CH33-49	EL296UH090XV48C	5947464
XC25-048-230	TXV	48,500	20.50	13.00	CH33-49	EL296UH090XV60C	5947465
XC25-048-230	TXV	48,500	20.50	13.00	CH33-49	EL296UH110XV48C	5947466
XC25-048-230	TXV	48,500	20.50	13.00	CH33-49	EL296UH110XV60C	5947467
XC25-048-230	TXV	48,500	20.50	13.50	CH33-49	SL280UH090V60C	5947468
XC25-048-230	TXV	48,500	20.50	13.50	CH33-49	SL280UH090XV60C	6108188
XC25-048-230	TXV	48,500	20.50	13.00	CH33-49	SL280UH110V60C	5947469
XC25-048-230	TXV	48,500	20.50	13.00	CH33-49	SL280UH110XV60C	6108189
XC25-048-230	TXV	48,500	20.50	13.00	CH33-49	SLP98UH090XV48C	5947470
XC25-048-230	TXV	48,500	20.50	13.00	CH33-49	SLP98UH090XV60C	5947471
XC25-048-230	TXV	48,500	20.50	13.00	CH33-49	SLP98UH110XV60C	5947472
XC25-048-230	TXV	48,000	20.50	13.00	CH33-50/60C	EL296UH090XV48C	5947473
XC25-048-230	TXV	48,000	20.00	13.00	CH33-50/60C	EL296UH090XV60C	5947474
XC25-048-230	TXV	48,000	20.50	13.00	CH33-50/60C	EL296UH110XV48C	5947475
XC25-048-230	TXV	48,000	20.00	13.00	CH33-50/60C	EL296UH110XV60C	5947476
XC25-048-230	TXV	48,500	20.00	13.50	CH33-50/60C	SL280UH090V60C	5947477
XC25-048-230	TXV	48,500	20.00	13.50	CH33-50/60C	SL280UH090XV60C	6108170
XC25-048-230	TXV	48,000	20.00	13.00	CH33-50/60C	SL280UH110V60C	5947478
XC25-048-230	TXV	48,000	20.00	13.00	CH33-50/60C	SL280UH110XV60C	6108171
XC25-048-230	TXV	48,000	20.50	13.00	CH33-50/60C	SLP98UH090XV48C	5947479
XC25-048-230	TXV	48,000	20.00	13.00	CH33-50/60C	SLP98UH090XV60C	5947480
XC25-048-230	TXV	48,000	20.00	13.00	CH33-50/60C	SLP98UH110XV60C	5947481
XC25-048-230	TXV	48,000	20.00	13.00	CH33-60D	EL296UH135XV60D	5947482
XC25-048-230	TXV	48,000	20.00	13.50	CH33-60D	SL280UH135V60D	5947483
XC25-048-230	TXV	48,000	20.00	13.00	CH33-60D	SLP98UH135XV60D	5947484
XC25-048-230	TXV	48,500	20.00	13.50	CH33-62D	EL296UH135XV60D	5947485
XC25-048-230	TXV	48,500	20.00	13.50	CH33-62D	SL280UH135V60D	5947486
XC25-048-230	TXV	48,500	20.00	13.50	CH33-62D	SLP98UH135XV60D	5947487
XC25-048-230	TXV	48,000	20.00	13.00	CH35-51C	EL296UH090XV48C	7164581
XC25-048-230	TXV	48,000	20.00	13.00	CH35-51C	EL296UH090XV60C	7164582
XC25-048-230	TXV	48,000	20.00	13.00	CH35-51C	EL296UH110XV48C	7164583
XC25-048-230	TXV	48,000	20.00	13.00	CH35-51C	EL296UH110XV60C	7164584
XC25-048-230	TXV	48,000	20.00	13.00	CH35-51C	SL280UH090V60C	7164585
XC25-048-230	TXV	48,000	20.00	13.00	CH35-51C	SL280UH110V60C	7164586

NOTES:

TXV = Matched with Thermostatic Expansion Valve.

RFC = Matched with RFC metering device.

All matches with EL195E and ML180E gas furnaces require the use of a Blower Motor Relay Kit (**85W66**) for proper unit operation.

Ratings are AHRI Certified to AHRI Standard 210/240 (with 25 ft. of connecting refrigerant lines); 95°F outdoor air temperature, 80°F db / 67°F wb entering evaporator air. All ratings include the use of a blower time delay relay (TDR). All Lennox variable-speed furnaces and Air Handlers have time delay capabilities. Other Furnaces and Air Handlers may require an optional time delay relay (**58M81**) for field installation. See furnace or air handler specifications to determine if relay is needed.

Also see Expansion Valve Kit Usage Table.

AHRI SYSTEM MATCHES

NOTE - For the latest up-to-date system matches please visit the AHRI web site at <http://www.ahridirectory.org>

Model No.	Expansion Device	Capacity	SEER	EER	Coil or Air Handler	Furnace	AHRI Reference
XC25-048-230	TXV	48,000	20.00	13.00	CH35-51C	SLP98UH090XV48C	7164587
XC25-048-230	TXV	48,000	20.00	13.00	CH35-51C	SLP98UH090XV60C	7164588
XC25-048-230	TXV	48,000	20.00	13.00	CH35-51C	SLP98UH110XV60C	7164589
XC25-048-230	TXV	48,000	20.00	13.00	CH35-60D	EL296UH135XV60D	7164590
XC25-048-230	TXV	48,000	20.00	13.00	CH35-60D	SL280UH135V60D	7164591
XC25-048-230	TXV	48,000	20.00	13.00	CH35-60D	SLP98UH135XV60D	7164592
XC25-048-230	TXV	46,000	19.00	13.00	CR33-48C	SLP98DF090XV48C	8256479
XC25-048-230	TXV	48,000	20.00	13.00	CR33-50/60	EL296DF090XV60C	5947457
XC25-048-230	TXV	48,000	20.00	13.00	CR33-50/60	EL296DF110XV60C	5947458
XC25-048-230	TXV	48,500	20.00	13.50	CR33-50/60	SL280DF090V60C	5947459
XC25-048-230	TXV	48,500	20.50	13.50	CR33-50/60	SL280DF110V60C	5947460
XC25-048-230	TXV	48,000	20.00	13.00	CR33-50/60	SLP98DF090XV48C	5947461
XC25-048-230	TXV	48,000	20.00	13.00	CR33-50/60	SLP98DF090XV60C	5947462
XC25-048-230	TXV	48,000	20.00	13.00	CR33-50/60	SLP98DF110XV60C	5947463
XC25-048-230	TXV	48,000	20.00	13.00	CR33-60	EL296DF090XV60C	5948131
XC25-048-230	TXV	48,000	20.00	13.00	CR33-60	EL296DF110XV60C	5948132
XC25-048-230	TXV	48,500	20.00	13.50	CR33-60	SL280DF090V60C	5948133
XC25-048-230	TXV	48,500	20.50	13.50	CR33-60	SL280DF110V60C	5948134
XC25-048-230	TXV	48,000	20.00	13.00	CR33-60	SLP98DF090XV48C	5948135
XC25-048-230	TXV	48,000	20.00	13.00	CR33-60	SLP98DF090XV60C	5948136
XC25-048-230	TXV	48,000	20.00	13.00	CR33-60	SLP98DF110XV60C	5948137
XC25-048-230	TXV	47,500	19.00	13.00	CX34-43B	SL280UH090V48B	5947428
XC25-048-230	TXV	47,500	19.00	13.00	CX34-43B	SL280UH090XV48B	6108181
XC25-048-230	TXV	47,500	19.50	13.00	CX34-43C	EL296UH090XV48C	5947429
XC25-048-230	TXV	48,000	19.00	13.00	CX34-43C	EL296UH090XV60C	5947430
XC25-048-230	TXV	48,000	19.50	13.00	CX34-43C	EL296UH110XV48C	5947431
XC25-048-230	TXV	47,500	19.00	13.00	CX34-43C	EL296UH110XV60C	5947432
XC25-048-230	TXV	48,000	19.00	13.50	CX34-43C	SL280UH090V60C	5947433
XC25-048-230	TXV	48,000	19.00	13.50	CX34-43C	SL280UH090XV60C	6108182
XC25-048-230	TXV	48,000	19.00	13.00	CX34-43C	SL280UH110V60C	5947434
XC25-048-230	TXV	48,000	19.00	13.00	CX34-43C	SL280UH110XV60C	6108183
XC25-048-230	TXV	47,500	19.50	13.00	CX34-43C	SLP98UH090XV48C	5947435
XC25-048-230	TXV	48,000	19.00	13.00	CX34-43C	SLP98UH090XV60C	5947436
XC25-048-230	TXV	47,500	19.00	13.00	CX34-43C	SLP98UH110XV60C	5947437
XC25-048-230	TXV	46,500	20.00	12.50	CX34-44/48	EL296UH090XV48C	6332956
XC25-048-230	TXV	46,500	19.50	12.50	CX34-44/48	EL296UH090XV60C	6332957
XC25-048-230	TXV	46,500	19.50	12.50	CX34-44/48	EL296UH110XV48C	6332958
XC25-048-230	TXV	46,500	19.50	12.50	CX34-44/48	EL296UH110XV60C	6332959
XC25-048-230	TXV	47,000	19.50	13.00	CX34-44/48	SL280UH090V60C	6332960
XC25-048-230	TXV	46,500	19.00	12.50	CX34-44/48	SL280UH090XV48B	6332955
XC25-048-230	TXV	47,000	19.50	13.00	CX34-44/48	SL280UH090XV60C	6332965
XC25-048-230	TXV	46,500	19.50	12.50	CX34-44/48	SL280UH110V60C	6332961
XC25-048-230	TXV	46,500	19.50	12.50	CX34-44/48	SL280UH110XV60C	6332966
XC25-048-230	TXV	46,500	20.00	12.50	CX34-44/48	SLP98UH090XV48C	6332962
XC25-048-230	TXV	46,500	19.50	12.50	CX34-44/48	SLP98UH090XV60C	6332963
XC25-048-230	TXV	46,500	19.50	12.50	CX34-44/48	SLP98UH110XV60C	6332964
XC25-048-230	TXV	48,000	19.00	13.00	CX34-49C	EL296UH090XV48C	5947419
XC25-048-230	TXV	48,500	19.00	13.50	CX34-49C	EL296UH090XV60C	5947420

NOTES:

TXV = Matched with Thermostatic Expansion Valve.

RFC = Matched with RFC metering device.

All matches with EL195E and ML180E gas furnaces require the use of a Blower Motor Relay Kit (**85W66**) for proper unit operation.

Ratings are AHRI Certified to AHRI Standard 210/240 (with 25 ft. of connecting refrigerant lines); 95°F outdoor air temperature, 80°F db / 67°F wb entering evaporator air. All ratings include the use of a blower time delay relay (TDR). All Lennox variable-speed furnaces and Air Handlers have time delay capabilities. Other Furnaces and Air Handlers may require an optional time delay relay (**58M81**) for field installation. See furnace or air handler specifications to determine if relay is needed.

Also see Expansion Valve Kit Usage Table.

AHRI SYSTEM MATCHES

NOTE - For the latest up-to-date system matches please visit the AHRI web site at <http://www.ahridirectory.org>

Model No.	Expansion Device	Capacity	SEER	EER	Coil or Air Handler	Furnace	AHRI Reference
XC25-048-230	TXV	48,500	19.00	13.50	CX34-49C	EL296UH110XV48C	5947421
XC25-048-230	TXV	48,500	19.00	13.00	CX34-49C	EL296UH110XV60C	5947422
XC25-048-230	TXV	48,500	19.00	13.50	CX34-49C	SL280UH090V60C	5947423
XC25-048-230	TXV	48,500	19.00	13.50	CX34-49C	SL280UH090XV60C	6108179
XC25-048-230	TXV	48,500	18.50	13.50	CX34-49C	SL280UH110V60C	5947424
XC25-048-230	TXV	48,500	18.50	13.50	CX34-49C	SL280UH110XV60C	6108180
XC25-048-230	TXV	48,000	19.00	13.00	CX34-49C	SLP98UH090XV48C	5947425
XC25-048-230	TXV	48,500	19.00	13.50	CX34-49C	SLP98UH090XV60C	5947426
XC25-048-230	TXV	48,500	19.00	13.00	CX34-49C	SLP98UH110XV60C	5947427
XC25-048-230	TXV	47,500	20.00	13.00	CX34-50/60C	EL296UH090XV48C	5947448
XC25-048-230	TXV	47,500	20.00	13.00	CX34-50/60C	EL296UH090XV60C	5947449
XC25-048-230	TXV	47,500	20.00	13.00	CX34-50/60C	EL296UH110XV48C	5947450
XC25-048-230	TXV	47,500	19.50	13.00	CX34-50/60C	EL296UH110XV60C	5947451
XC25-048-230	TXV	47,500	20.00	13.00	CX34-50/60C	SL280UH090V60C	5947452
XC25-048-230	TXV	47,500	20.00	13.00	CX34-50/60C	SL280UH090XV60C	6108186
XC25-048-230	TXV	47,500	19.50	13.00	CX34-50/60C	SL280UH110V60C	5947453
XC25-048-230	TXV	47,500	19.50	13.00	CX34-50/60C	SL280UH110XV60C	6108187
XC25-048-230	TXV	47,500	20.00	13.00	CX34-50/60C	SLP98UH090XV48C	5947454
XC25-048-230	TXV	47,500	20.00	13.00	CX34-50/60C	SLP98UH090XV60C	5947455
XC25-048-230	TXV	47,500	19.50	13.00	CX34-50/60C	SLP98UH110XV60C	5947456
XC25-048-230	TXV	47,500	19.50	13.00	CX34-60D	SLP98UH135XV60D	6803001
XC25-048-230	TXV	48,000	19.50	13.50	CX34-62C	SL280UH090V60C	6973679
XC25-048-230	TXV	49,500	20.00	13.50	CX34-62C	SLP98UH090XV48C	8297555
XC25-048-230	TXV	47,500	19.00	13.00	CX35-48B	SL280UH090V48B	8248039
XC25-048-230	TXV	47,500	19.50	13.00	CX35-48C	EL296UH090XV48C	8248040
XC25-048-230	TXV	48,000	19.00	13.00	CX35-48C	EL296UH090XV60C	8248223
XC25-048-230	TXV	48,000	19.00	13.00	CX35-48C	EL296UH110XV48C	8248224
XC25-048-230	TXV	47,500	19.00	13.00	CX35-48C	EL296UH110XV60C	8248041
XC25-048-230	TXV	48,000	19.00	13.00	CX35-48C	SL280UH090V60C	8248042
XC25-048-230	TXV	48,000	19.00	13.00	CX35-48C	SL280UH110V60C	8248225
XC25-048-230	TXV	47,500	19.50	13.00	CX35-48C	SLP98UH090XV48C	8248226
XC25-048-230	TXV	48,000	19.00	13.00	CX35-48C	SLP98UH090XV60C	8248227
XC25-048-230	TXV	47,500	19.00	13.00	CX35-48C	SLP98UH110XV60C	8248228
XC25-048-230	TXV	48,000	19.00	13.00	CX35-49C	EL296UH090XV48C	8248229
XC25-048-230	TXV	48,000	19.00	13.00	CX35-49C	EL296UH090XV60C	8248230
XC25-048-230	TXV	48,000	19.00	13.00	CX35-49C	EL296UH110XV48C	8248231
XC25-048-230	TXV	48,000	19.00	13.00	CX35-49C	EL296UH110XV60C	8248232
XC25-048-230	TXV	48,000	19.00	13.50	CX35-49C	SL280UH090V60C	8248233
XC25-048-230	TXV	48,000	18.50	13.00	CX35-49C	SL280UH110V60C	8248234
XC25-048-230	TXV	48,000	19.00	13.00	CX35-49C	SLP98UH090XV48C	8248235
XC25-048-230	TXV	48,000	19.00	13.00	CX35-49C	SLP98UH090XV60C	8248236
XC25-048-230	TXV	48,000	19.00	13.00	CX35-49C	SLP98UH110XV60C	8248237
XC25-048-230	TXV	47,500	20.00	13.00	CX35-50/60C	EL296UH090XV48C	8248238
XC25-048-230	TXV	47,500	20.00	13.00	CX35-50/60C	EL296UH090XV60C	8248239
XC25-048-230	TXV	47,500	20.00	13.00	CX35-50/60C	EL296UH110XV48C	8248240
XC25-048-230	TXV	47,500	19.50	13.00	CX35-50/60C	EL296UH110XV60C	8248241
XC25-048-230	TXV	47,500	20.00	13.00	CX35-50/60C	SL280UH090V60C	8248242
XC25-048-230	TXV	47,500	19.50	13.00	CX35-50/60C	SL280UH110V60C	8248243

NOTES:

TXV = Matched with Thermostatic Expansion Valve.

RFC = Matched with RFC metering device.

All matches with EL195E and ML180E gas furnaces require the use of a Blower Motor Relay Kit (**85W66**) for proper unit operation.

Ratings are AHRI Certified to AHRI Standard 210/240 (with 25 ft. of connecting refrigerant lines); 95°F outdoor air temperature, 80°F db / 67°F wb entering evaporator air. All ratings include the use of a blower time delay relay (TDR). All Lennox variable-speed furnaces and Air Handlers have time delay capabilities. Other Furnaces and Air Handlers may require an optional time delay relay (**58M81**) for field installation. See furnace or air handler specifications to determine if relay is needed.

Also see Expansion Valve Kit Usage Table.

AHRI SYSTEM MATCHES

NOTE - For the latest up-to-date system matches please visit the AHRI web site at <http://www.ahridirectory.org>

Model No.	Expansion Device	Capacity	SEER	EER	Coil or Air Handler	Furnace	AHRI Reference
XC25-048-230	TXV	47,500	20.00	13.00	CX35-50/60C	SLP98UH090XV48C	8248244
XC25-048-230	TXV	47,500	20.00	13.00	CX35-50/60C	SLP98UH090XV60C	8248245
XC25-048-230	TXV	47,500	19.50	13.00	CX35-50/60C	SLP98UH110XV60C	8248246
XC25-060-230	TXV	56,500	19.50	12.50	C33-49	EL296UH090XV60C	8103344
XC25-060-230	TXV	56,500	19.50	12.50	C33-49	EL296UH110XV60C	8103345
XC25-060-230	TXV	56,500	19.50	12.50	C33-49	SL280UH090V60C	8103349
XC25-060-230	TXV	56,500	19.50	12.50	C33-49	SL280UH090XV60C	8103347
XC25-060-230	TXV	56,500	19.50	12.50	C33-49	SL280UH110V60C	8103346
XC25-060-230	TXV	56,500	19.50	12.50	C33-49	SL280UH110XV60C	8103348
XC25-060-230	TXV	56,500	19.50	12.50	C33-49	SLP98UH090XV60C	8103350
XC25-060-230	TXV	56,500	19.50	12.50	C33-49	SLP98UH110XV60C	8103351
XC25-060-230	TXV	56,500	19.50	12.50	C33-60D	EL296UH135XV60D	8103352
XC25-060-230	TXV	56,500	19.50	12.50	C33-60D	SL280UH135V60D	8103353
XC25-060-230	TXV	56,500	19.50	12.50	C33-60D	SLP98UH135XV60D	8103354
XC25-060-230	TXV	57,500	19.50	12.50	C33-62C	EL296UH090XV60C	8103355
XC25-060-230	TXV	57,500	19.50	12.50	C33-62C	EL296UH110XV60C	8103356
XC25-060-230	TXV	58,000	20.00	13.00	C33-62C	SL280UH090V60C	8103360
XC25-060-230	TXV	58,000	20.00	13.00	C33-62C	SL280UH090XV60C	8103358
XC25-060-230	TXV	58,000	19.50	13.00	C33-62C	SL280UH110V60C	8103359
XC25-060-230	TXV	58,000	19.50	13.00	C33-62C	SL280UH110XV60C	8103357
XC25-060-230	TXV	57,500	19.50	12.50	C33-62C	SLP98UH090XV60C	8103361
XC25-060-230	TXV	57,500	19.50	12.50	C33-62C	SLP98UH110XV60C	8103362
XC25-060-230	TXV	57,500	19.50	13.00	C33-62D	EL296UH135XV60D	8103363
XC25-060-230	TXV	57,500	19.50	13.00	C33-62D	SL280UH135V60D	8103364
XC25-060-230	TXV	57,500	19.50	13.00	C33-62D	SLP98UH135XV60D	8103365
XC25-060-230	TXV	58,000	20.00	13.00	C35-49C	SL280UH090V60C	8248175
XC25-060-230	TXV	58,000	20.00	13.00	C35-49C	SL280UH090XV60C	8248176
XC25-060-230	TXV	58,000	19.50	13.00	C35-49C	SL280UH110XV60C	8248174
XC25-060-230	TXV	56,500	19.50	12.50	C35-49C	SLP98UH090XV60C	8248166
XC25-060-230	TXV	56,500	19.50	12.50	C35-49C	SLP98UH110XV60C	8248167
XC25-060-230	TXV	57,500	19.50	12.50	C35-60C	EL296UH090XV60C	8248171
XC25-060-230	TXV	57,500	19.50	12.50	C35-60C	EL296UH110XV60C	8248172
XC25-060-230	TXV	58,000	19.50	13.00	C35-60C	SL280UH110V60C	8248173
XC25-060-230	TXV	57,500	19.50	12.50	C35-60C	SLP98UH090XV60C	8248177
XC25-060-230	TXV	57,500	19.50	12.50	C35-60C	SLP98UH110XV60C	8248178
XC25-060-230	TXV	56,500	19.50	12.50	C35-60D	SL280UH135V60D	8248169
XC25-060-230	TXV	56,500	19.50	12.50	C35-60D	SLP98UH135XV60D	8248170
XC25-060-230	TXV	56,500	20.00	12.50	CBX32MV-060		8103366
XC25-060-230	TXV	56,500	20.00	13.00	CBX32MV-068		8103367
XC25-060-230	TXV	56,500	20.00	13.00	CBX40UHV-060		8103343
XC25-060-230	TXV	56,500	19.50	12.00	CH33-49	EL296UH090XV60C	8103368
XC25-060-230	TXV	56,500	19.50	12.50	CH33-49	EL296UH110XV60C	8103369
XC25-060-230	TXV	57,000	20.00	12.50	CH33-49	SL280UH090V60C	8103375
XC25-060-230	TXV	57,000	20.00	12.50	CH33-49	SL280UH090XV60C	8103373
XC25-060-230	TXV	57,000	19.50	12.50	CH33-49	SL280UH110V60C	8103374
XC25-060-230	TXV	57,000	19.50	12.50	CH33-49	SL280UH110XV60C	8103372
XC25-060-230	TXV	56,500	19.50	12.00	CH33-49	SLP98UH090XV60C	8103370
XC25-060-230	TXV	56,500	19.50	12.50	CH33-49	SLP98UH110XV60C	8103371

NOTES:

TXV = Matched with Thermostatic Expansion Valve.

RFC = Matched with RFC metering device.

All matches with EL195E and ML180E gas furnaces require the use of a Blower Motor Relay Kit (**85W66**) for proper unit operation.

Ratings are AHRI Certified to AHRI Standard 210/240 (with 25 ft. of connecting refrigerant lines); 95°F outdoor air temperature, 80°F db / 67°F wb entering evaporator air. All ratings include the use of a blower time delay relay (TDR). All Lennox variable-speed furnaces and Air Handlers have time delay capabilities. Other Furnaces and Air Handlers may require an optional time delay relay (**58M81**) for field installation. See furnace or air handler specifications to determine if relay is needed.

Also see Expansion Valve Kit Usage Table.

AHRI SYSTEM MATCHES

NOTE - For the latest up-to-date system matches please visit the AHRI web site at <http://www.ahridirectory.org>

Model No.	Expansion Device	Capacity	SEER	EER	Coil or Air Handler	Furnace	AHRI Reference
XC25-060-230	TXV	56,500	19.50	12.00	CH33-50/60C	EL296UH090XV60C	8103376
XC25-060-230	TXV	56,500	19.50	12.50	CH33-50/60C	EL296UH110XV60C	8103377
XC25-060-230	TXV	56,500	19.50	12.50	CH33-50/60C	SL280UH090V60C	8103383
XC25-060-230	TXV	56,500	19.50	12.50	CH33-50/60C	SL280UH090XV60C	8103381
XC25-060-230	TXV	56,500	19.50	12.50	CH33-50/60C	SL280UH110V60C	8103382
XC25-060-230	TXV	56,500	19.50	12.50	CH33-50/60C	SL280UH110XV60C	8103380
XC25-060-230	TXV	56,500	19.50	12.00	CH33-50/60C	SLP98UH090XV60C	8103378
XC25-060-230	TXV	56,500	19.50	12.50	CH33-50/60C	SLP98UH110XV60C	8103379
XC25-060-230	TXV	56,000	19.50	12.50	CH33-60D	EL296UH135XV60D	8103384
XC25-060-230	TXV	56,000	19.50	12.50	CH33-60D	SL280UH135V60D	8103385
XC25-060-230	TXV	56,000	19.50	12.50	CH33-60D	SLP98UH135XV60D	8103386
XC25-060-230	TXV	56,500	19.50	12.50	CH33-62D	EL296UH135XV60D	8103387
XC25-060-230	TXV	57,000	19.50	13.00	CH33-62D	SL280UH135V60D	8103388
XC25-060-230	TXV	56,500	19.50	12.50	CH33-62D	SLP98UH135XV60D	8103389
XC25-060-230	TXV	57,000	19.50	12.50	CH35-51C	EL296UH090XV60C	8103420
XC25-060-230	TXV	57,000	19.50	12.50	CH35-51C	EL296UH110XV60C	8103421
XC25-060-230	TXV	57,000	20.00	12.50	CH35-51C	SL280UH090V60C	8103423
XC25-060-230	TXV	57,000	19.50	12.50	CH35-51C	SL280UH110V60C	8103422
XC25-060-230	TXV	57,000	19.50	12.50	CH35-51C	SLP98UH090XV60C	8103424
XC25-060-230	TXV	57,000	19.50	12.50	CH35-51C	SLP98UH110XV60C	8103425
XC25-060-230	TXV	57,000	19.50	12.50	CH35-60D	EL296UH135XV60D	8103427
XC25-060-230	TXV	57,000	19.50	13.00	CH35-60D	SL280UH135V60D	8103428
XC25-060-230	TXV	57,000	19.50	12.50	CH35-60D	SLP98UH135XV60D	8103426
XC25-060-230	TXV	55,000	19.00	12.00	CR33-60	EL296DF090XV60C	8103390
XC25-060-230	TXV	55,000	19.00	12.00	CR33-60	EL296DF110XV60C	8103391
XC25-060-230	TXV	55,500	19.00	12.50	CR33-60	SL280DF090V60C	8103396
XC25-060-230	TXV	55,500	19.50	12.50	CR33-60	SL280DF110V60C	8103397
XC25-060-230	TXV	55,000	19.00	12.00	CR33-60	SLP98DF090XV60C	8103392
XC25-060-230	TXV	55,000	19.00	12.00	CR33-60	SLP98DF110XV60C	8103393
XC25-060-230	TXV	56,500	19.50	12.50	CX34-49	EL296UH090XV60C	8103398
XC25-060-230	TXV	56,500	19.50	12.50	CX34-49	EL296UH110XV60C	8103399
XC25-060-230	TXV	56,500	19.50	12.50	CX34-49	SL280UH090V60C	8103403
XC25-060-230	TXV	56,500	19.50	12.50	CX34-49	SL280UH090XV60C	8103401
XC25-060-230	TXV	56,500	19.50	12.50	CX34-49	SL280UH110V60C	8103402
XC25-060-230	TXV	56,500	19.50	12.50	CX34-49	SL280UH110XV60C	8103400
XC25-060-230	TXV	56,500	19.50	12.50	CX34-49	SLP98UH090XV60C	8103404
XC25-060-230	TXV	56,500	19.50	12.50	CX34-49	SLP98UH110XV60C	8103405
XC25-060-230	TXV	56,500	19.50	12.50	CX34-60D	EL296UH135XV60D	8103406
XC25-060-230	TXV	56,500	19.50	12.50	CX34-60D	SL280UH135V60D	8103407
XC25-060-230	TXV	56,500	19.50	12.50	CX34-60D	SLP98UH135XV60D	8103408
XC25-060-230	TXV	57,500	19.50	12.50	CX34-62C	EL296UH090XV60C	8103409
XC25-060-230	TXV	57,500	19.50	12.50	CX34-62C	EL296UH110XV60C	8103410
XC25-060-230	TXV	58,000	20.00	13.00	CX34-62C	SL280UH090V60C	8103414
XC25-060-230	TXV	58,000	20.00	13.00	CX34-62C	SL280UH090XV60C	8103412
XC25-060-230	TXV	58,000	19.50	13.00	CX34-62C	SL280UH110V60C	8103413
XC25-060-230	TXV	58,000	19.50	13.00	CX34-62C	SL280UH110XV60C	8103411
XC25-060-230	TXV	57,500	19.50	12.50	CX34-62C	SLP98UH090XV60C	8103415
XC25-060-230	TXV	57,500	19.50	12.50	CX34-62C	SLP98UH110XV60C	8103416

NOTES:

TXV = Matched with Thermostatic Expansion Valve.

RFC = Matched with RFC metering device.

All matches with EL195E and ML180E gas furnaces require the use of a Blower Motor Relay Kit (**85W66**) for proper unit operation.

Ratings are AHRI Certified to AHRI Standard 210/240 (with 25 ft. of connecting refrigerant lines); 95°F outdoor air temperature, 80°F db / 67°F wb entering evaporator air. All ratings include the use of a blower time delay relay (TDR). All Lennox variable-speed furnaces and Air Handlers have time delay capabilities. Other Furnaces and Air Handlers may require an optional time delay relay (**58M81**) for field installation. See furnace or air handler specifications to determine if relay is needed.

Also see Expansion Valve Kit Usage Table.

AHRI SYSTEM MATCHES

NOTE - For the latest up-to-date system matches please visit the AHRI web site at <http://www.ahridirectory.org>

Model No.	Expansion Device	Capacity	SEER	EER	Coil or Air Handler	Furnace	AHRI Reference
XC25-060-230	TXV	57,500	19.50	13.00	CX34-62D	EL296UH135XV60D	8103417
XC25-060-230	TXV	57,500	19.50	13.00	CX34-62D	SL280UH135V60D	8103418
XC25-060-230	TXV	57,500	19.50	13.00	CX34-62D	SLP98UH135XV60D	8103419
XC25-060-230	TXV	56,500	19.50	12.50	CX35-49C	SL280UH090V60C	8248183
XC25-060-230	TXV	57,500	19.50	12.50	CX35-60C	EL296UH090XV60C	8248190
XC25-060-230	TXV	57,500	19.50	12.50	CX35-60C	EL296UH110XV60C	8248191
XC25-060-230	TXV	58,000	19.50	13.00	CX35-60C	SL280UH110V60C	8248192
XC25-060-230	TXV	57,500	19.50	12.50	CX35-60C	SLP98UH090XV60C	8248196
XC25-060-230	TXV	57,500	19.50	12.50	CX35-60C	SLP98UH110XV60C	8248197

NOTES:

TXV = Matched with Thermostatic Expansion Valve.

RFC = Matched with RFC metering device.

All matches with EL195E and ML180E gas furnaces require the use of a Blower Motor Relay Kit (**85W66**) for proper unit operation.

Ratings are AHRI Certified to AHRI Standard 210/240 (with 25 ft. of connecting refrigerant lines); 95°F outdoor air temperature, 80°F db / 67°F wb entering evaporator air. All ratings include the use of a blower time delay relay (TDR). All Lennox variable-speed furnaces and Air Handlers have time delay capabilities. Other Furnaces and Air Handlers may require an optional time delay relay (**58M81**) for field installation. See furnace or air handler specifications to determine if relay is needed.

Also see Expansion Valve Kit Usage Table.

REVISIONS

Sections	Description of Change
AHRI System Matches	Updated



Visit us at www.lennox.com

For the latest technical information, www.lennox.com

Contact us at 1-800-4-LENNOX

NOTE - Due to Lennox' ongoing commitment to quality, Specifications, Ratings and Dimensions subject to change without notice and without incurring liability. Improper installation, adjustment, alteration, service or maintenance can cause property damage or personal injury. Installation and service must be performed by a qualified installer and servicing agency.

©2015 Lennox Industries, Inc.